

WCP-EX-0008 - Application Guide (Rev 1)

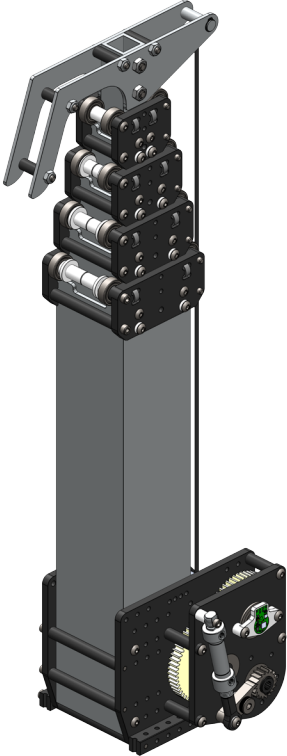
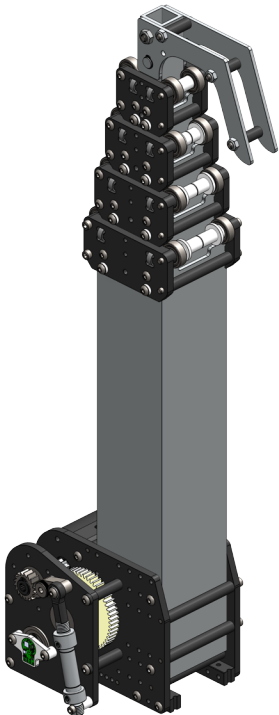
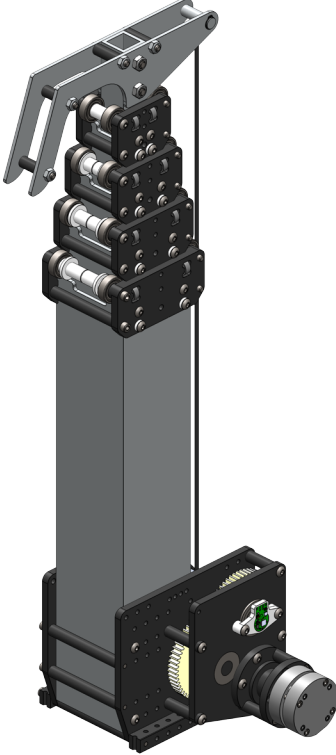
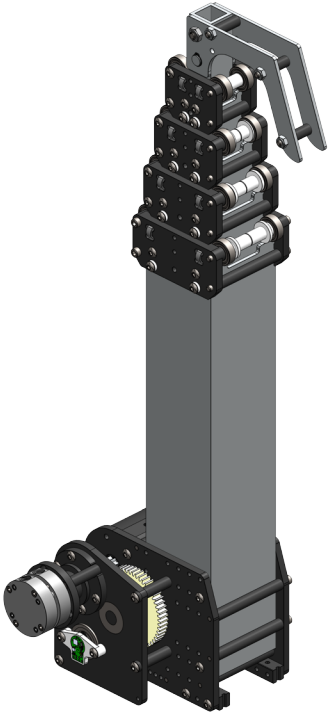




Table of Contents

What is the GreyT Telescope?	3
Non-Flipped Hooks	4
Flipped Hooks	5
Flipped Mounting Example	6
Revision Table	7



What is the GreyT Telescope?

The GreyT Telescope kit lets you make a linear telescoping system with little to no effort. Up to 40 inches per stage, up to 4 stages, and more than enough power from the Falcon 500 motor. Lock your telescope in place with either the Ratchet & Pawl or the WCP Friction Brake. Use it for fast and secure climbs, or any other fine-controlled linear mechanisms.

Notable features:

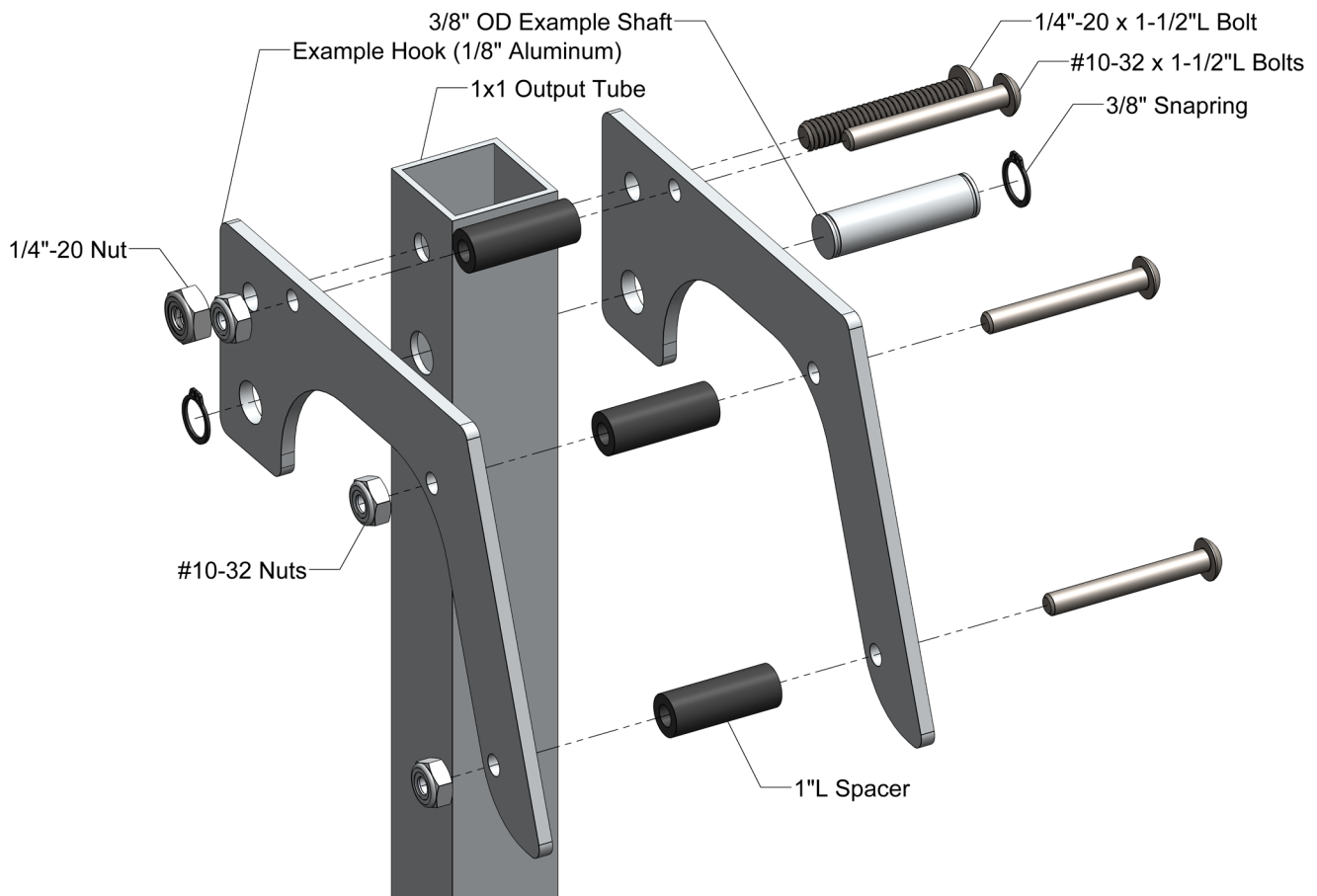
- Configurable, up to 4 stages.
- Easy to assemble and maintain.
- All bearings, no sliders.
- Integrated gearbox and mounting.
- Built in option for Ratchet & Pawl or WCP Friction Brake.
- Works with .060" and .125" tubing.
- No CNC machining required.
- Proper hardstops.
- Improved design, removes common failure point of internal bolts.



Non-Flipped Hooks

In the image below are example hooks that could be used for hanging. The hooks are made from 1/8" thick aluminum and are bolted together using 1"L spacers. These will help keep the hooks from bending.

A 3/8" OD Shaft is installed through both hooks and the 1x1 Output Tube. In this example, this acts as an anchor point for the string.



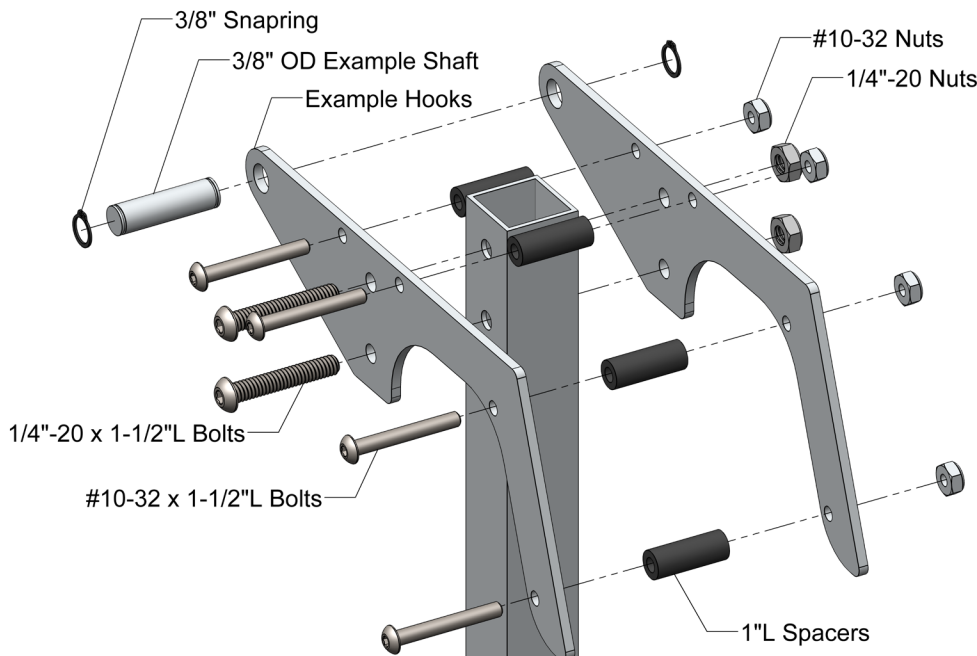
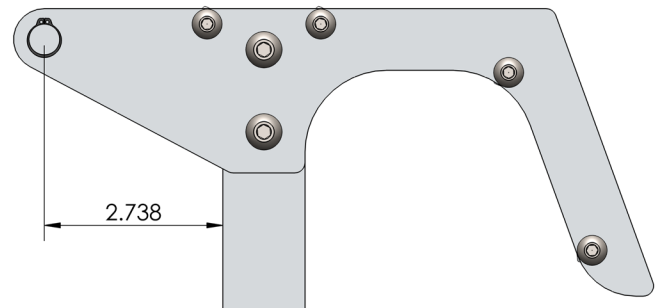


Flipped Hooks

The image below shows example hooks that could be used for either of the Flipped configurations. The hooks are made from 1/8" thick aluminum and are bolted together using 1"L spacers. These will help keep the hooks from bending.

A 3/8" OD Shaft is used as the anchor point for the string. Unlike the Non-Flipped Hooks, the shaft is installed outside the tube for the Flipped configurations. The position for the shaft is indicated in the image below.

Note: When designing your hook, make sure that the anchor point does not cause the string to collide with any of the CF Springs.

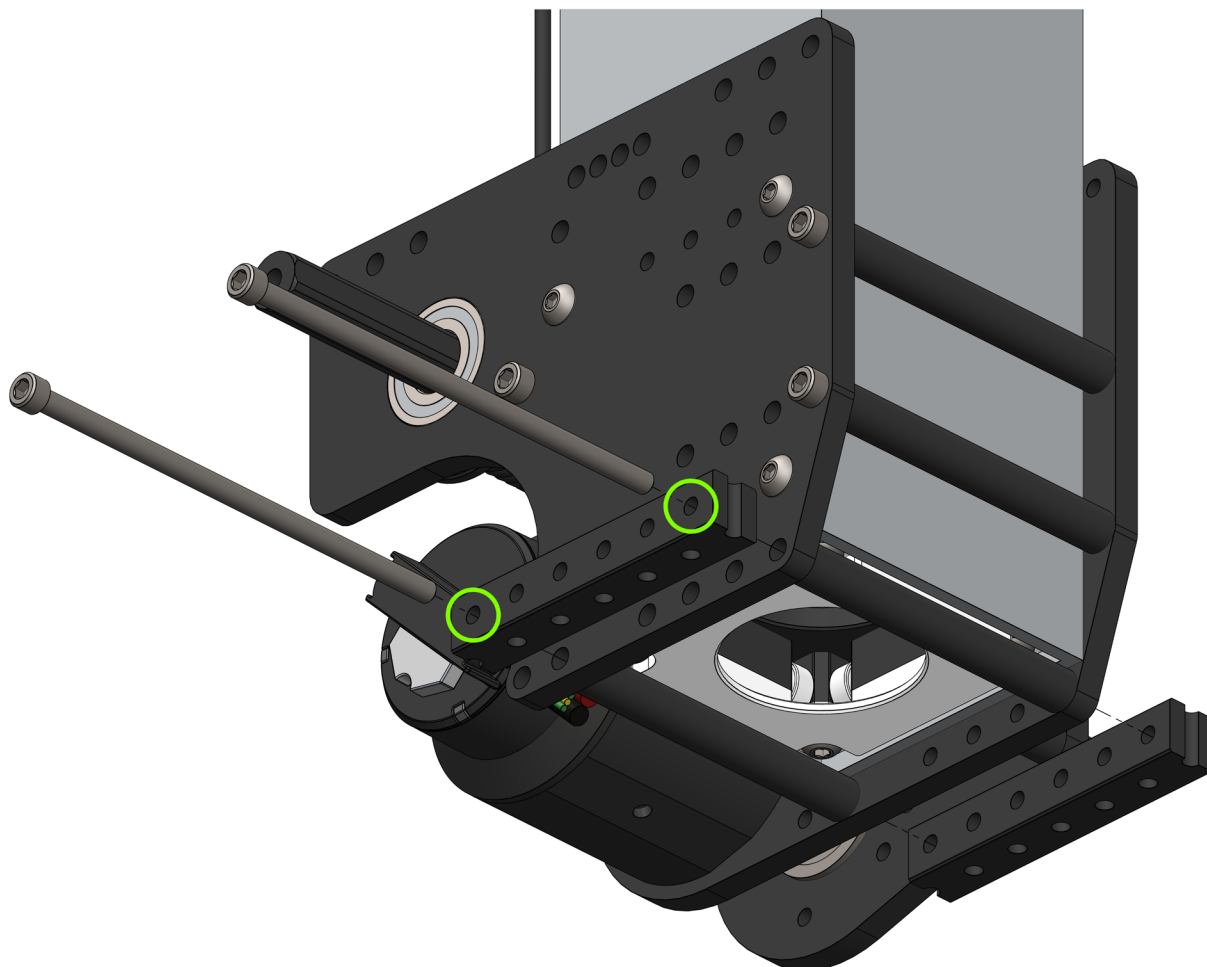




Flipped Mounting Example

For this mounting example, you will need 2 Aluminum Nutstrips cut to 3". For one of the nutstrips, drill out the two holes marked in green to #9.

Remove the two #10-32 x 3-1/2"L bolts indicated in the image below. Drill out the corresponding tapped holes on the Gearbox Plate clearance for #10-32 bolts. Install the nutstrips as shown in the image below using the indicated bolts.





Revision Table

Revision Date	Revision #	Description
11/24/2021	1.0	First revision created.