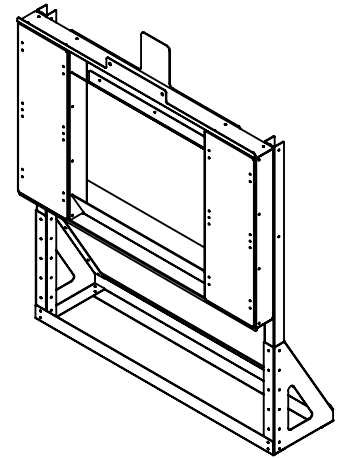


SECTION A-A



| | | | |
|-------------|-----------|---|--------------|
| Description | | SuperField 2024 - Amp | |
| Dwg No | | Web-WCP-1528 | |
| Project | | FIRST Robotics - FRC | Sheet 1 of 1 |
| Release | 1/10/2024 | ALL DIMENSIONS ARE IN INCHES [MM]. | |