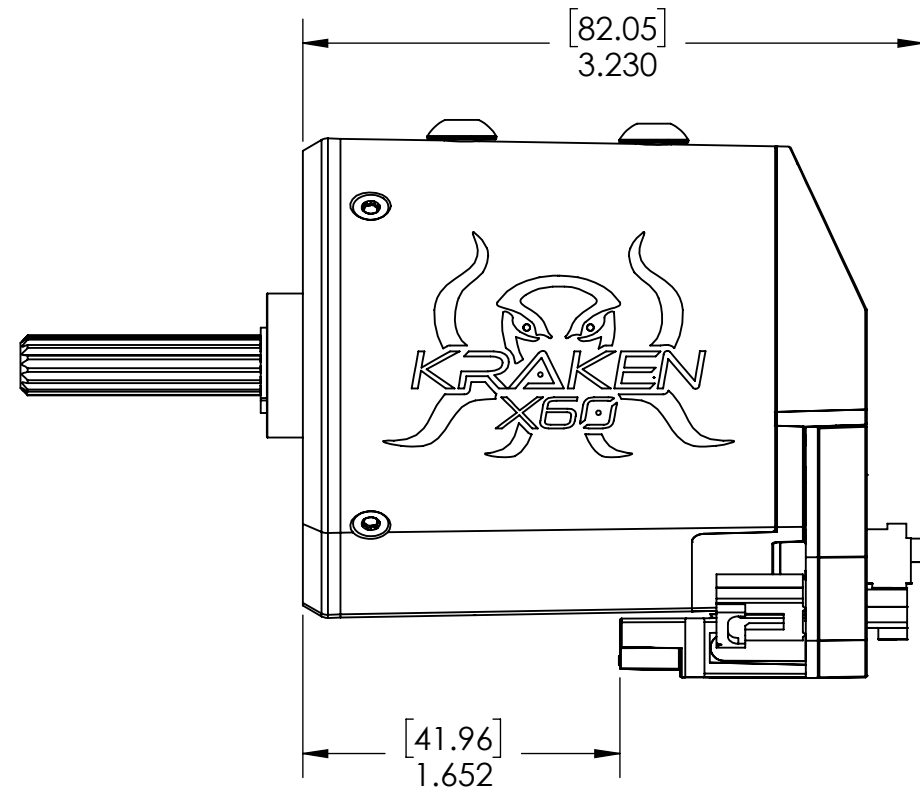
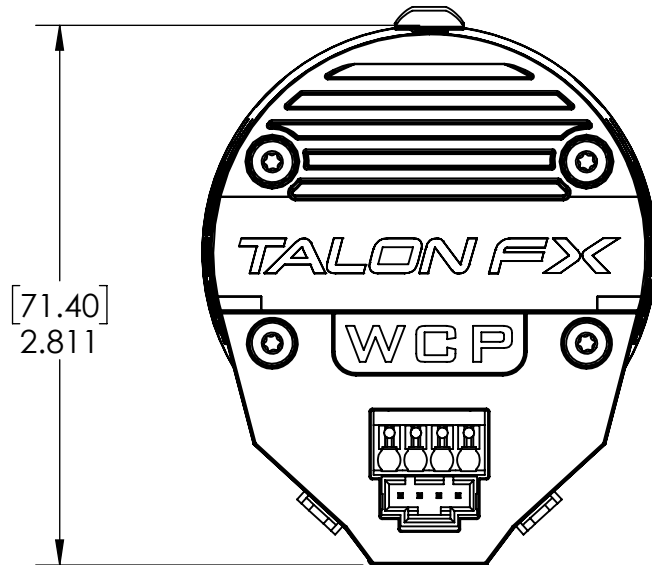
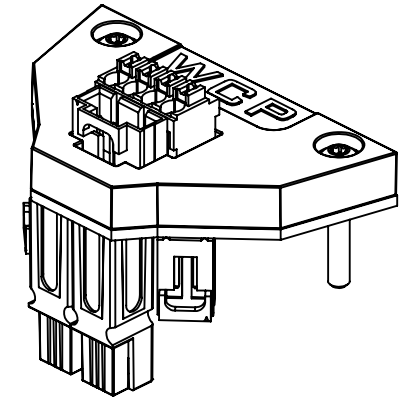


See Kraken X60 User Guide for more information on connectors.



Description		Kraken X60 Powered by TalonFX PowerPole Adapter Board	
Dwg No		Web-WCP-1380	
Project		FIRST Robotics - FRC	Sheet 1 of 1
Release	10/16/2023	<b>ALL DIMENSIONS ARE IN INCHES [MM].</b>	

[WWW.WCPRODUCTS.COM](http://WWW.WCPRODUCTS.COM)