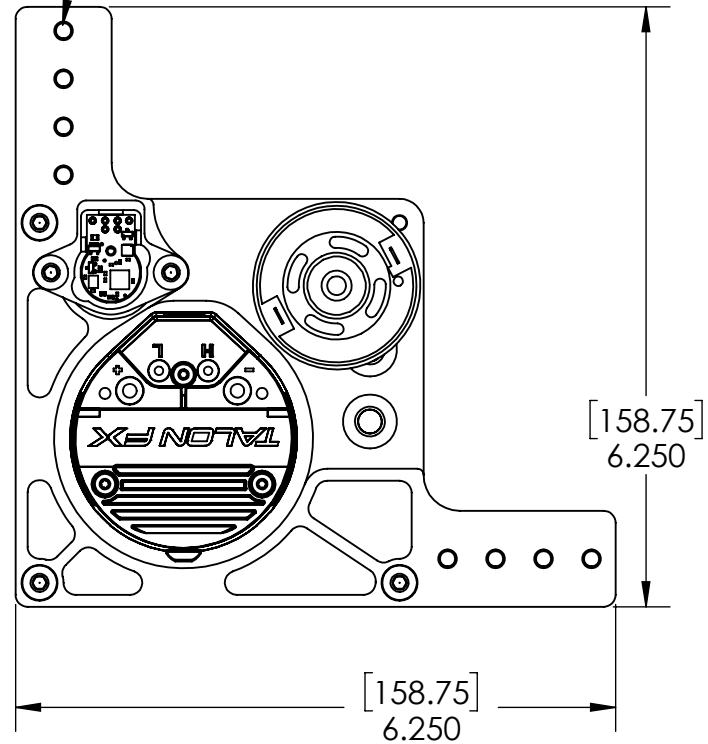
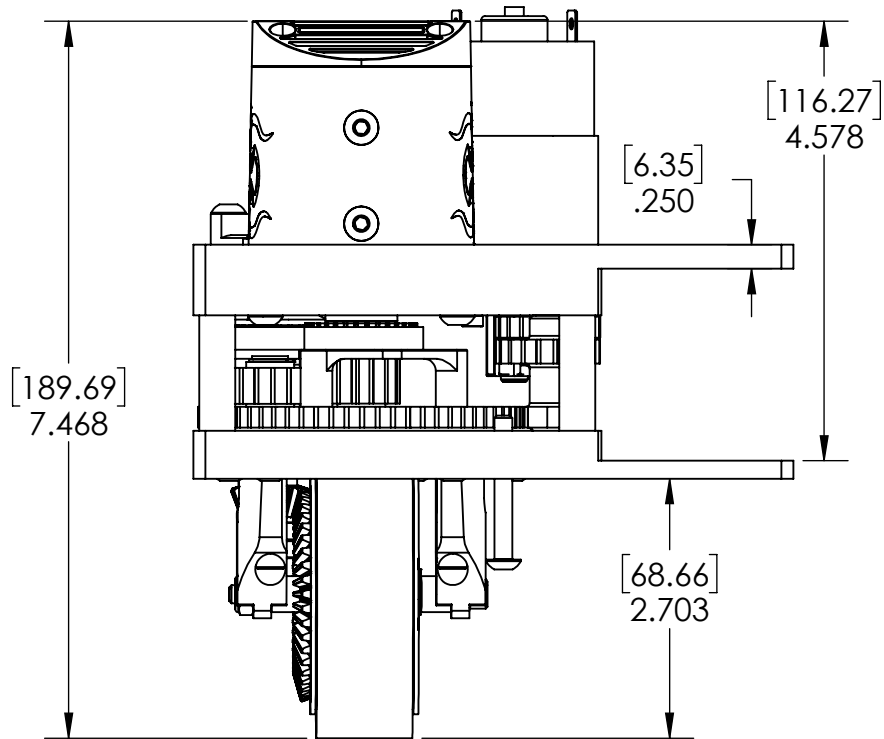


#10-32 TAPPED 8x



Description	WCP Swerve XS	
Dwg No	Web-WCP-1110 - Swerve XS	
Project	FIRST Robotics - FRC	Sheet 1 of 1
Release	12/19/2023	ALL DIMENSIONS ARE IN INCHES [MM].

WWW.WCPRODUCTS.COM