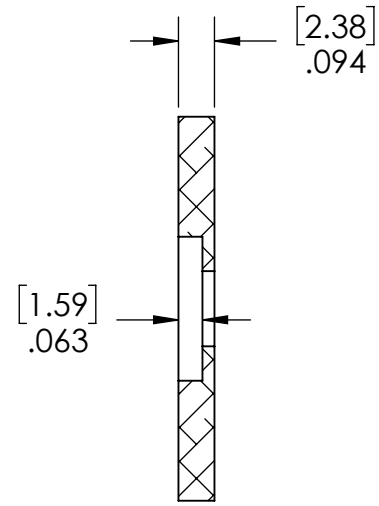
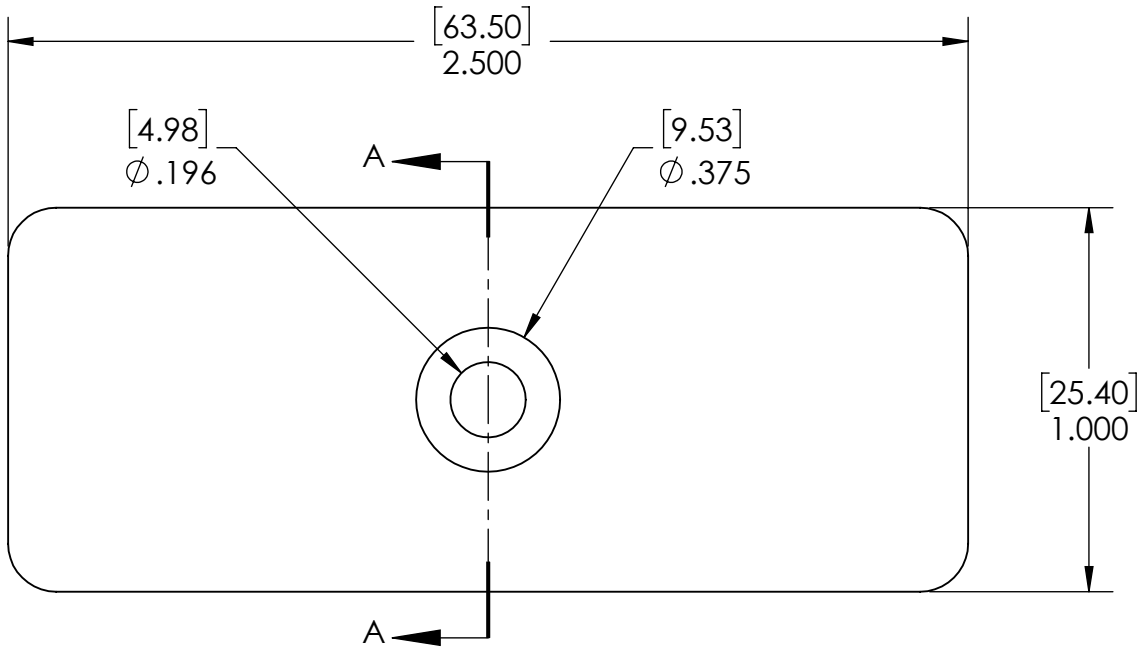
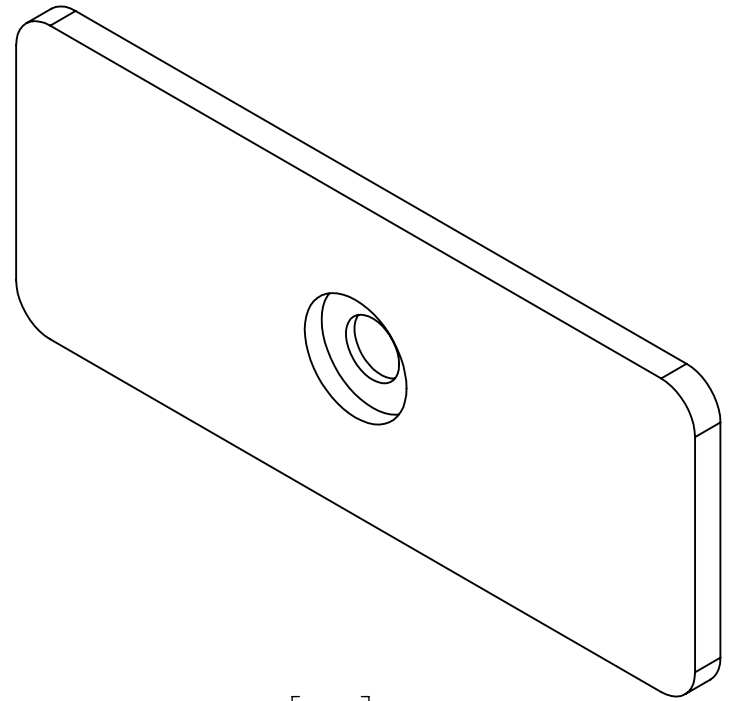


Note: The hardstop must be cut to an appropriate length for stages #1-#3.



SECTION A-A



Description		GreyT Telescope Hardstop	
Dwg No		Web-WCP-0502	
Project		FIRST Robotics - FRC	Sheet 1 of 1
Release		2/24/2022	ALL DIMENSIONS ARE IN INCHES [MM].