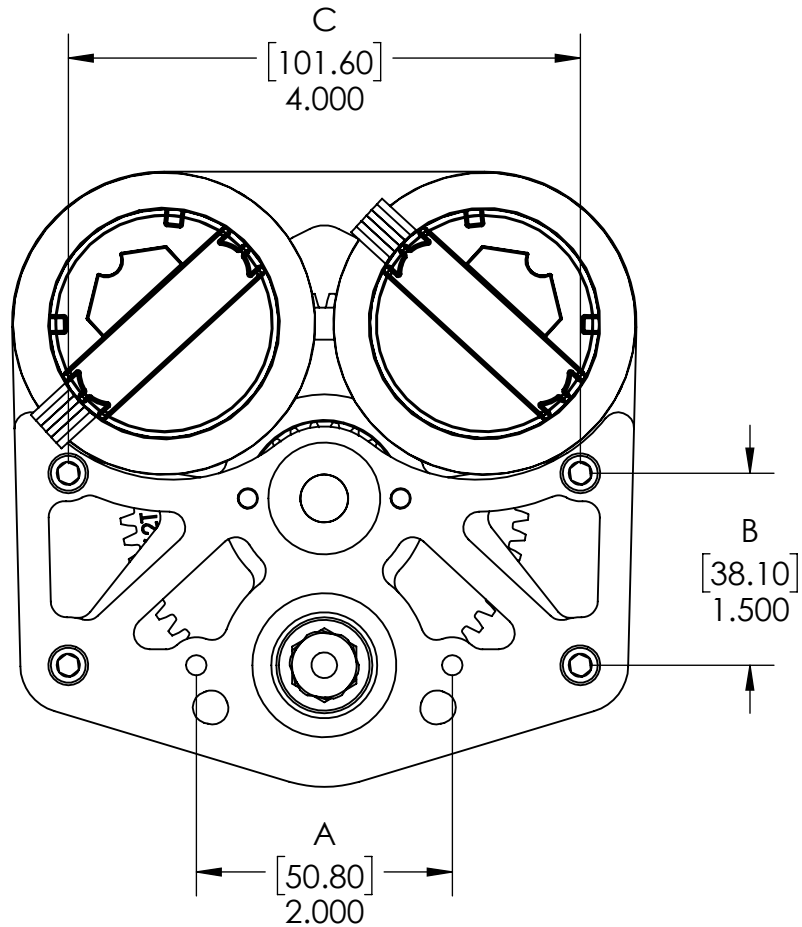
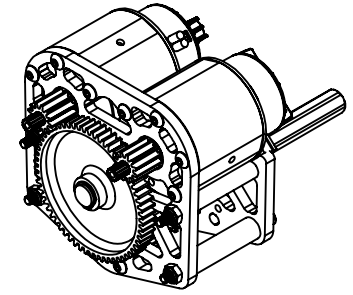


Description	WCP SS Flipped Gearbox V2 (SingleSpeed, 2 Stages)	
Dwg No	Web-WCP-0496	
Project	FIRST Robotics - FRC	Sheet 1 of 1
Release	1/19/2023	ALL DIMENSIONS ARE IN INCHES [MM].



Notes:

- (1) Dimension A updated from 1.875" to 2.000"
- (2) Dimension B updated from 1.4375" to 1.500"
- (3) Dimension C updated from 4.375" to 4.000"



Description		WCP SS Flipped Gearbox V2 (SingleSpeed, 2 Stages)	
Dwg No		Web-WCP-0496	
Project		FIRST Robotics - FRC	Sheet 1 of 1
Release		1/19/2023	ALL DIMENSIONS ARE IN INCHES [MM].

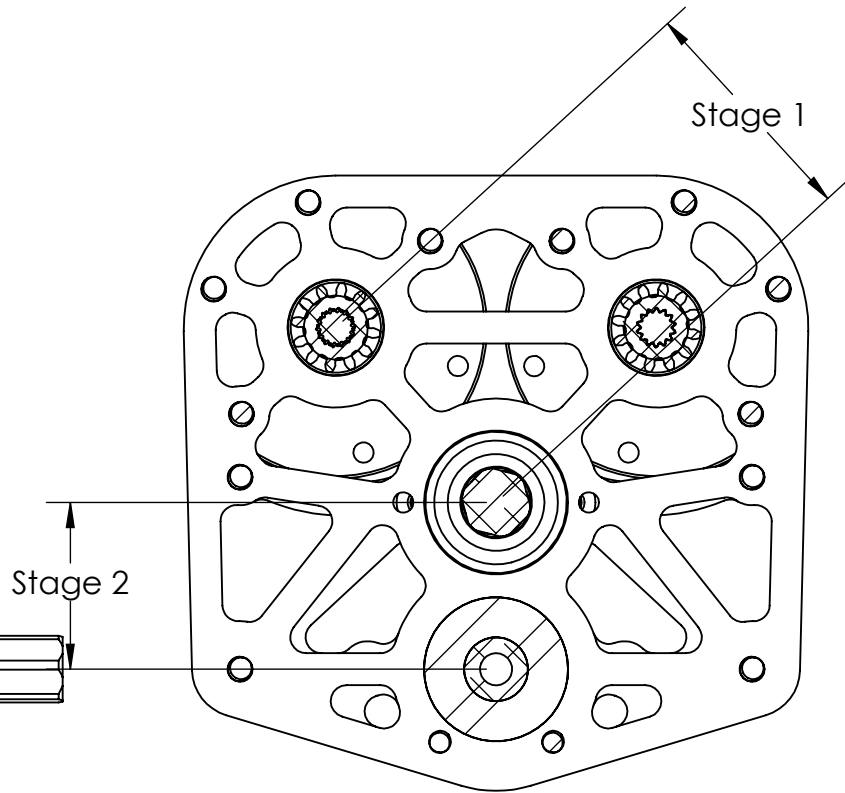
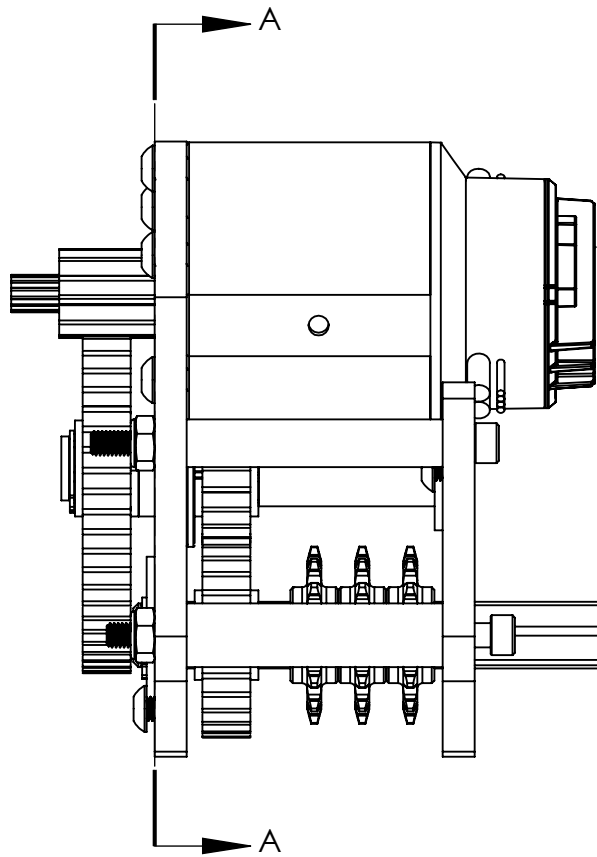
Stage	Gear Teeth Sum
1	74T
2	52T

Note:

(1) Gearbox 1st Stage changed from 72T to 74T c-c, and 2nd Stage changed from 48T to 52T c-c

(2) Gear teeth sum calculated by adding the tooth count for both gears together
[Ex: 62 + 12 = 74]

(3) Gears not included in BOM



SECTION A-A



Description	WCP SS Flipped Gearbox V2 (SingleSpeed, 2 Stages)		
Dwg No	Web-WCP-0496		
Project	FIRST Robotics - FRC	Sheet 1 of 1	
Release	1/19/2023	ALL DIMENSIONS ARE IN INCHES [MM].	