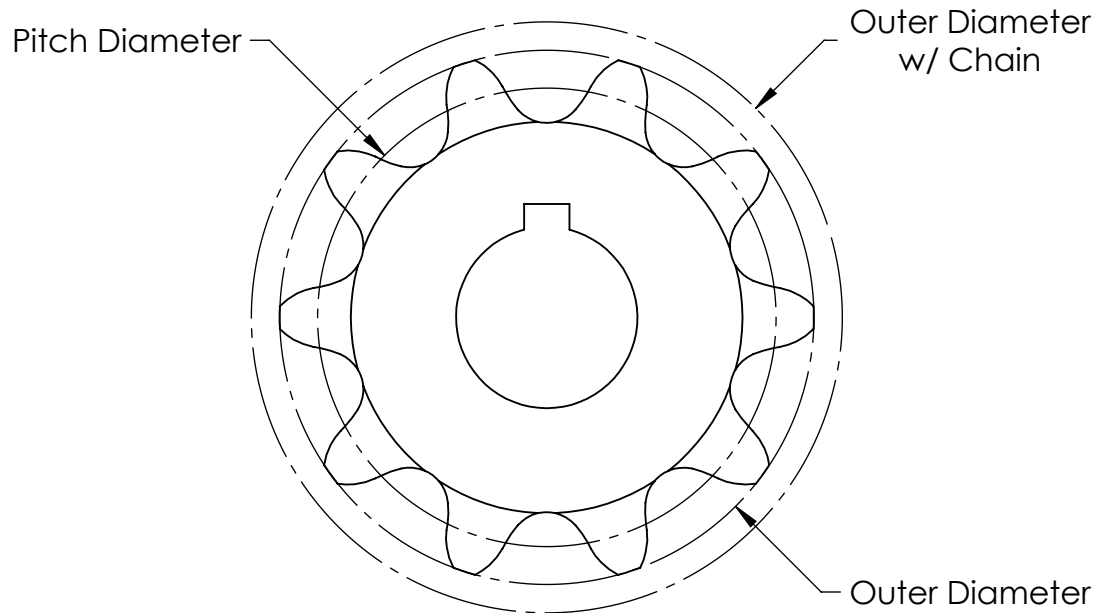
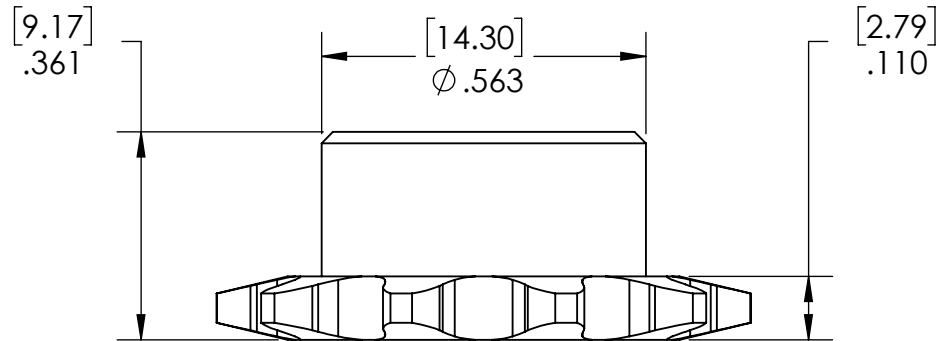
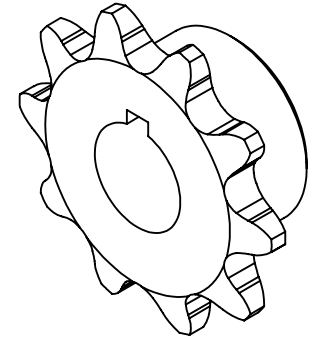


Part #	Tooth Count	Pitch Diameter (Ref)	Outer Diameter	Outer Diameter w/ Chain (Ref)	Bore	Material
WCP-0394	10	.794"	.927"	1.026	8mm	Steel



Description		10t Steel Hub Sprocket (#25 Chain, 8mm Bore)	
Dwg No		Web-WCP-0394	
Project		FIRST Robotics - FRC	Sheet 1 of 1
Release		1/7/2022	<b>ALL DIMENSIONS ARE IN INCHES [MM].</b>

WWW.WCPRODUCTS.COM