

[28.58]
Ø 1.125

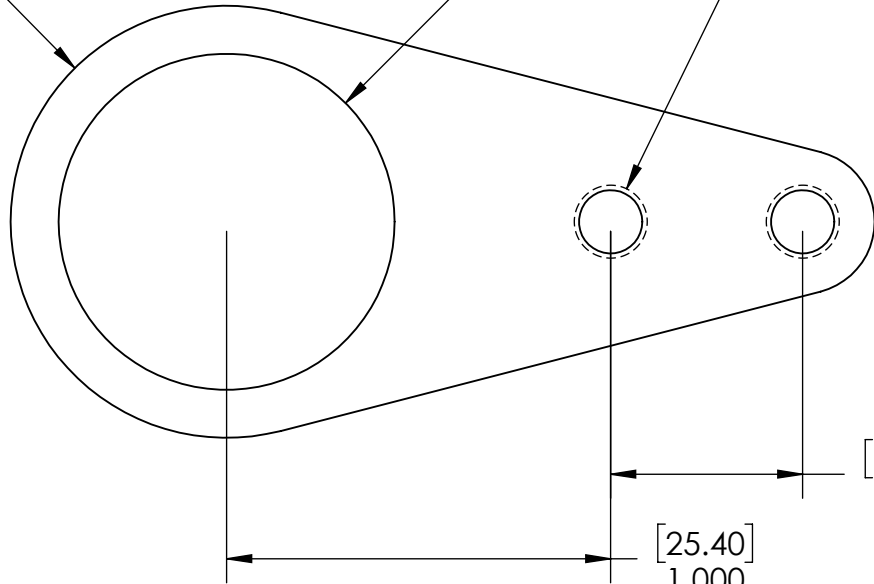
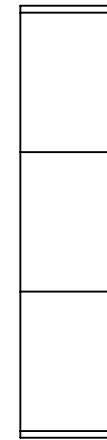
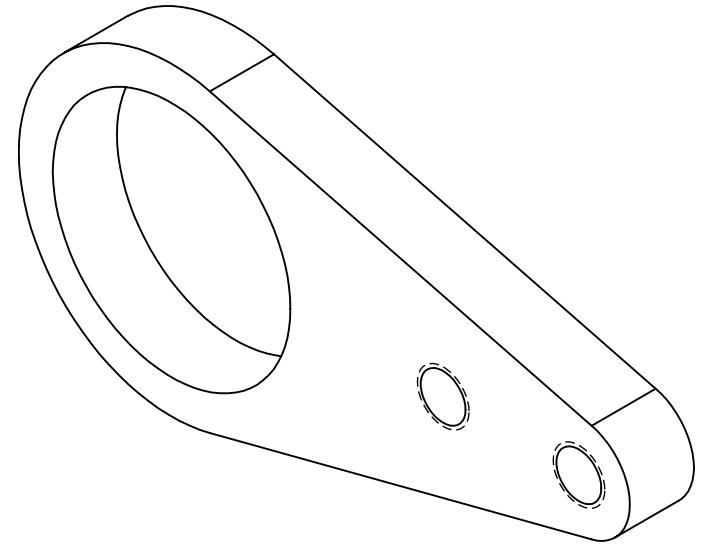
[22.23]
Ø .875

[4.83]
2X 10-32 UNF
Tapped Hole

[12.70]
.500

[25.40]
1.000

[6]
.236



Description		WCP Roller End Plate	
Dwg No		WCP-0104 Rev1	
Project		FIRST Robotics - FRC	Sheet 1 of 1
Release	12/23/2019	ALL DIMENSIONS ARE IN INCHES [MM].	

WWW.WCPRODUCTS.COM