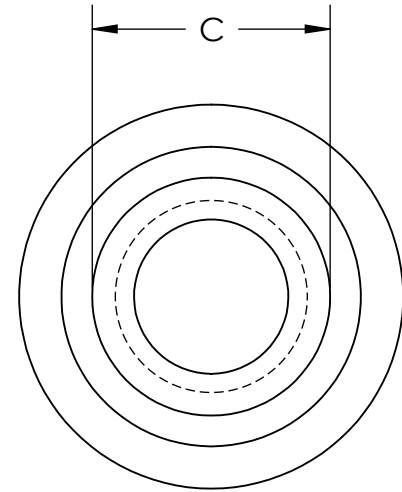
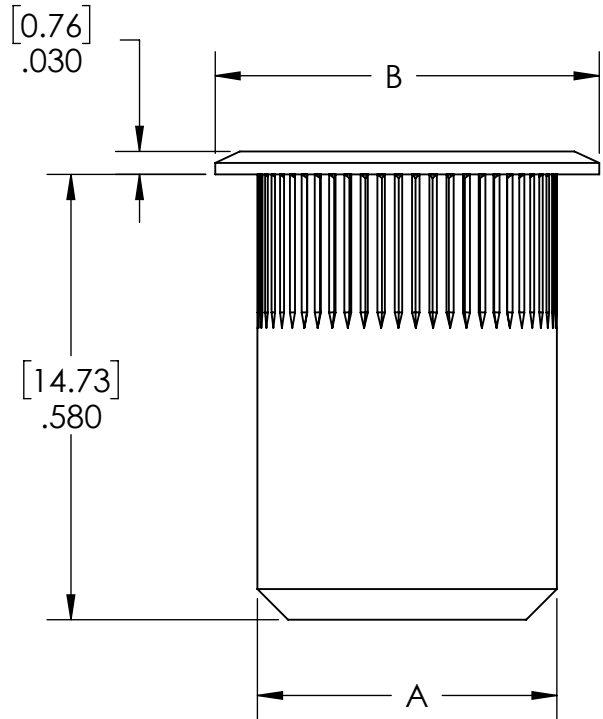
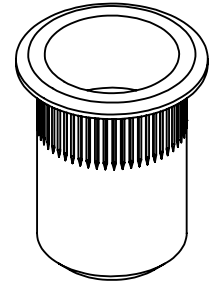


P/N	A	B	C	Threads
WCP-0305	.296	.415	.253	#10-32
WCP-0306	.390	.500	.350	1/4"-20



Description		Rivet Nut (Steel)	
Dwg No		Web-WCP Rivet Nut	
Project		FIRST Robotics - FRC	Sheet 1 of 1
Release		8/30/2021	ALL DIMENSIONS ARE IN INCHES [MM].

WWW.WCPRODUCTS.COM