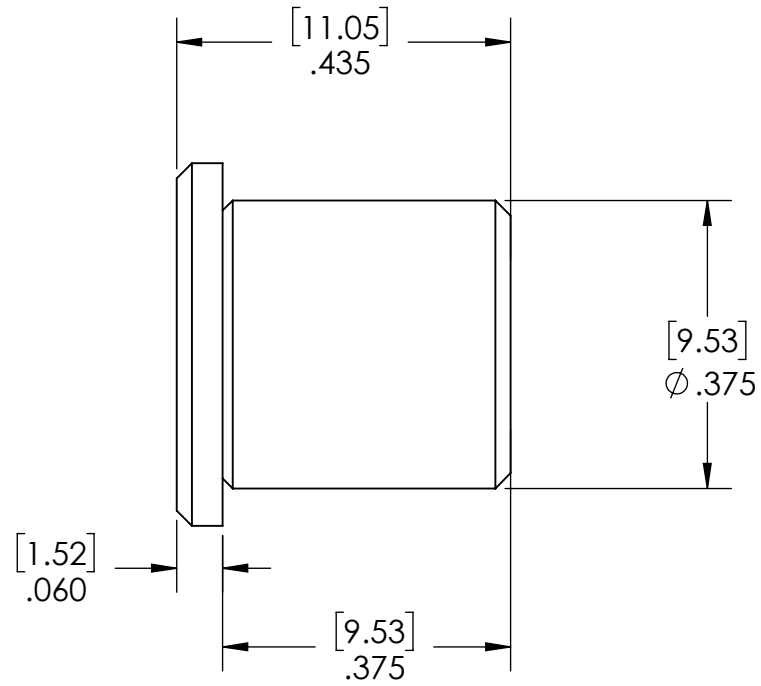
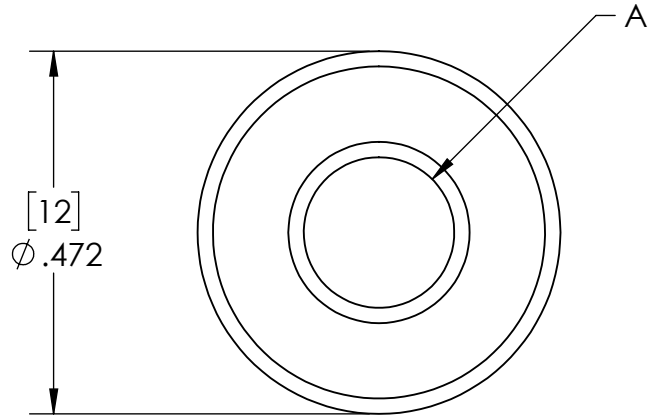
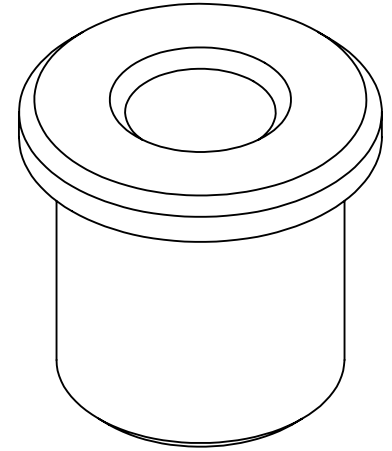


Part #	A
WCP-0320	0.159
WCP-0321	0.196
WCP-0322	0.250



Description	Press Fit Drill Bushings	
Dwg No	Web-WCP Press Fit Drill Bushings	
Project	FIRST Robotics - FRC	Sheet 1 of 1
Release	5/24/2021	ALL DIMENSIONS ARE IN INCHES [MM].