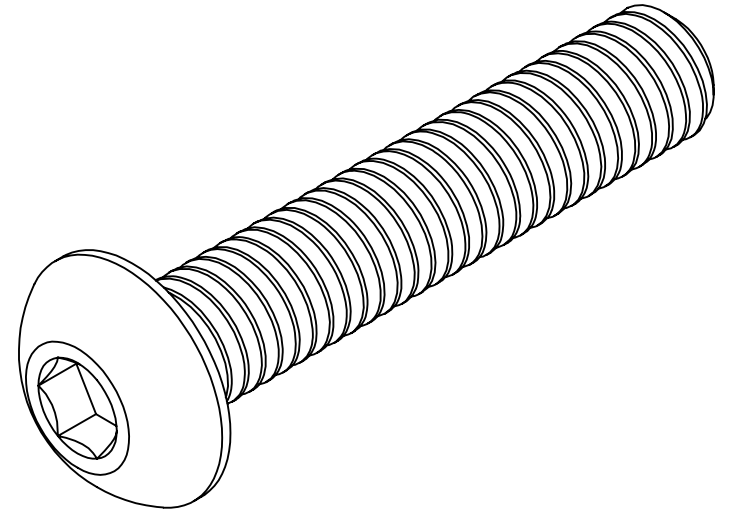
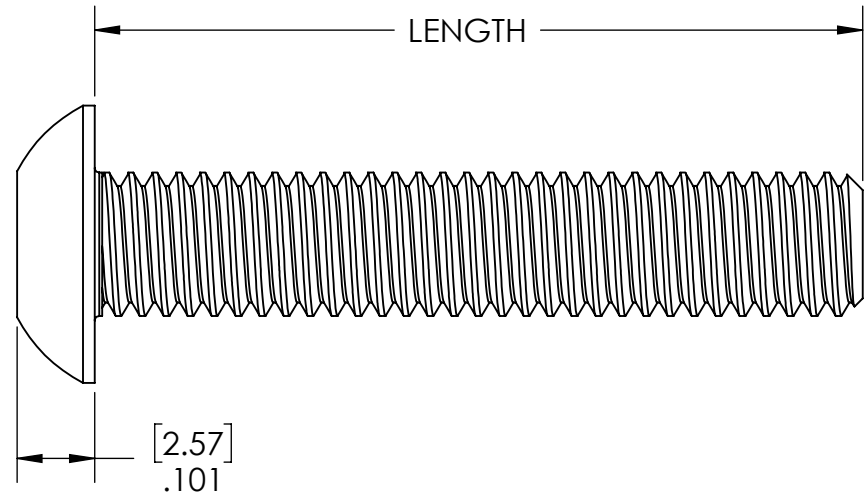
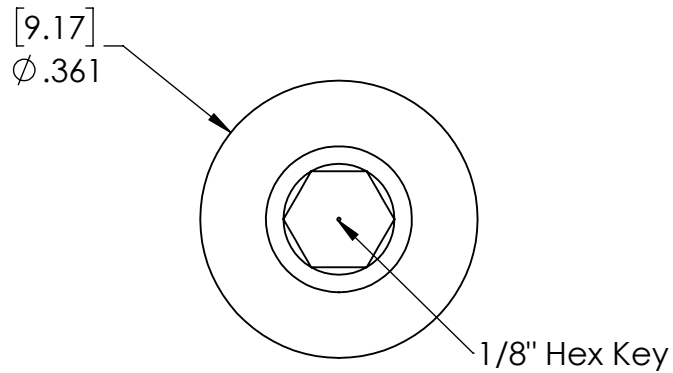


| Part # | Length | Material |
|----------|--------|----------|
| WCP-0251 | 0.250 | Steel |
| WCP-0252 | 0.375 | Steel |
| WCP-0253 | 0.500 | Steel |
| WCP-0254 | 0.750 | Steel |
| WCP-1463 | 0.875 | Steel |
| WCP-0255 | 1.000 | Steel |
| WCP-0256 | 1.250 | Steel |
| WCP-0257 | 1.500 | Steel |
| WCP-0258 | 1.750 | Steel |
| WCP-0259 | 2.000 | Steel |
| WCP-0260 | 2.250 | Steel |
| WCP-0261 | 2.500 | Steel |
| WCP-0262 | 2.750 | Steel |
| WCP-0263 | 3.000 | Steel |

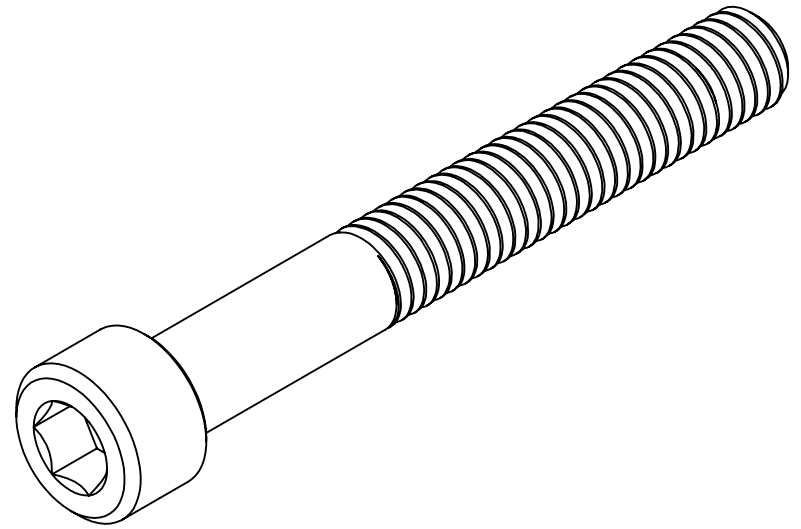


Note:
- All #10-32 BHCS are fully threaded

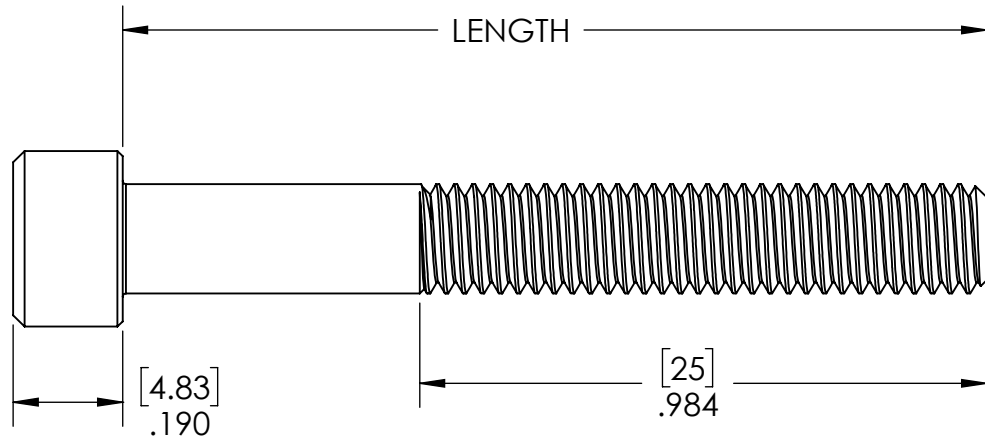
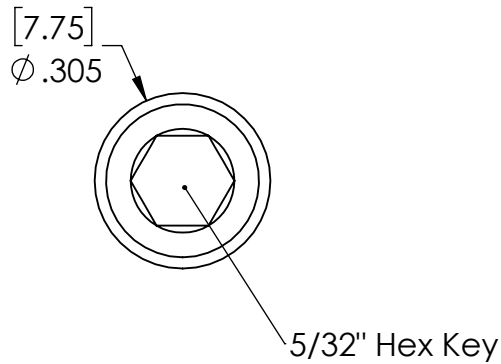


| | | | |
|--|-------------|----------------------|---|
| | Description | | WCP Bolt (#10-32 BHCS) |
| | Dwg No | | Web-WCP Bolts |
| | Project | FIRST Robotics - FRC | Sheet 1 of 1 |
| | Release | 6/14/2024 | ALL DIMENSIONS ARE IN INCHES [MM]. |

| Part # | Length | Material |
|----------|--------|----------|
| WCP-0264 | 0.250 | Steel |
| WCP-0265 | 0.375 | Steel |
| WCP-0266 | 0.500 | Steel |
| WCP-0267 | 1.000 | Steel |
| WCP-0268 | 1.500 | Steel |
| WCP-1549 | 1.750 | Steel |
| WCP-0269 | 2.000 | Steel |
| WCP-0270 | 2.500 | Steel |
| WCP-0271 | 3.000 | Steel |
| WCP-0272 | 3.500 | Steel |
| WCP-0273 | 4.000 | Steel |
| WCP-0274 | 4.500 | Steel |
| WCP-0275 | 5.000 | Steel |

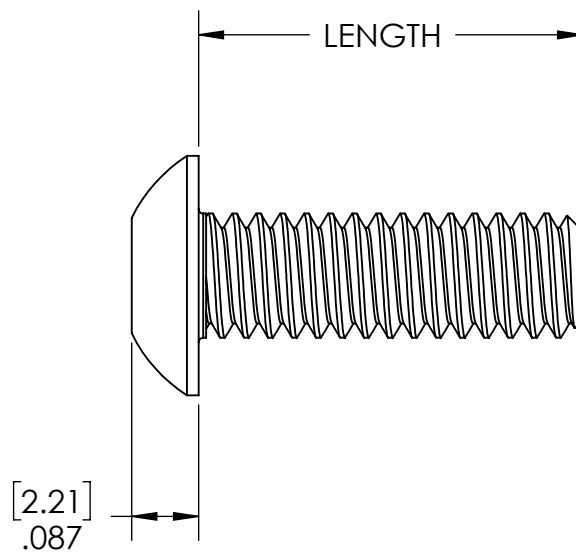
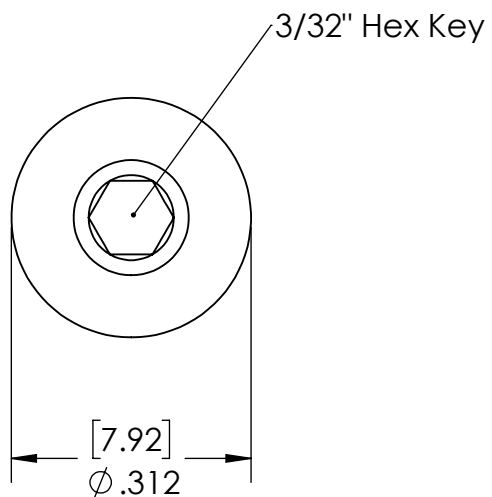
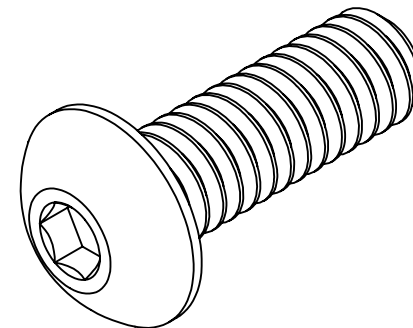


Note:
- All #10-32 SHCS are threaded a minimum of 25mm

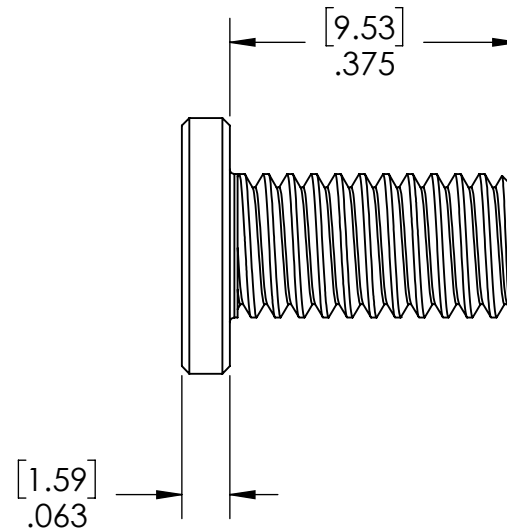
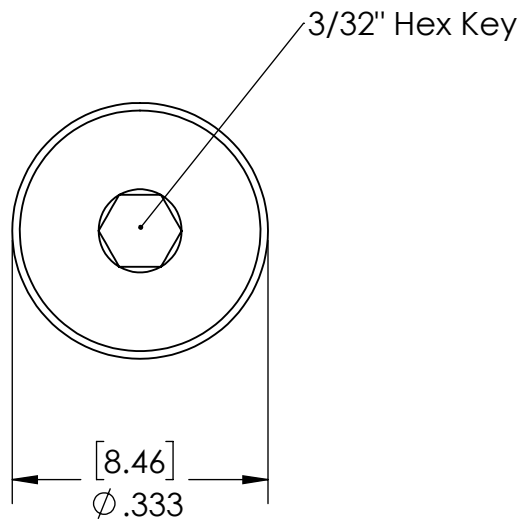
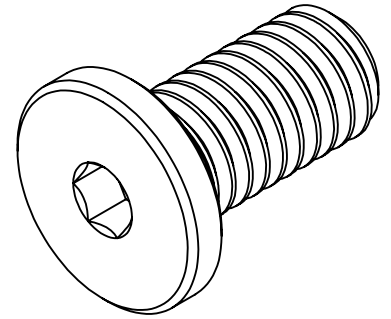


| | | | |
|-------------|--|------------------------|---|
| Description | | WCP Bolt (#10-32 SHCS) | |
| Dwg No | | Web-WCP Bolts | |
| Project | | FIRST Robotics - FRC | Sheet 1 of 1 |
| Release | | 6/14/2024 | ALL DIMENSIONS ARE IN INCHES [MM]. |

| Part # | Length | Material |
|----------|--------|----------|
| WCP-1548 | 0.250 | Steel |
| WCP-0250 | 0.500 | Steel |

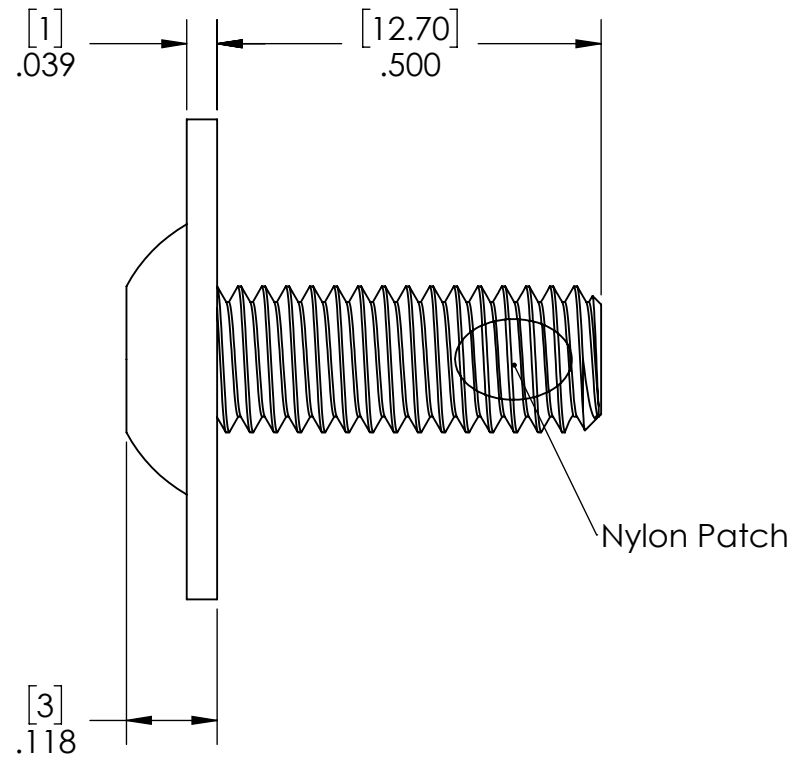
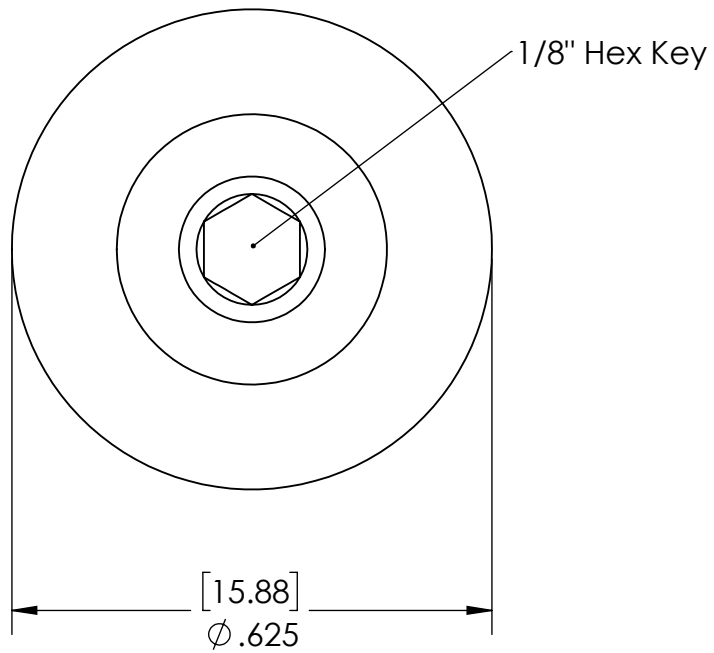
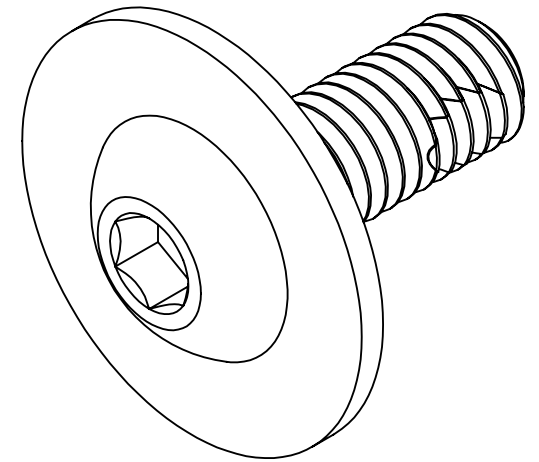


| | | | |
|--|-------------|----------------------|---|
| | Description | | WCP Bolt (#8-32 BHCS) |
| | Dwg No | | Web-WCP Bolts |
| | Project | FIRST Robotics - FRC | Sheet 1 of 1 |
| | Release | 6/14/2024 | ALL DIMENSIONS ARE IN INCHES [MM]. |



| | | |
|-------------|-------------------------------------|---|
| Description | WCP Bolt (#10-32 Ultra Low Profile) | |
| Dwg No | Web-WCP Bolts | |
| Project | FIRST Robotics - FRC | Sheet 1 of 1 |
| Release | 6/14/2024 | ALL DIMENSIONS ARE IN INCHES [MM]. |

WWW.WCPRODUCTS.COM



| | | |
|-------------|------------------------|---|
| Description | WCP Bolt (#10-32 PHCS) | |
| Dwg No | Web-WCP Bolts | |
| Project | FIRST Robotics - FRC | Sheet 1 of 1 |
| Release | 6/14/2024 | ALL DIMENSIONS ARE IN INCHES [MM]. |