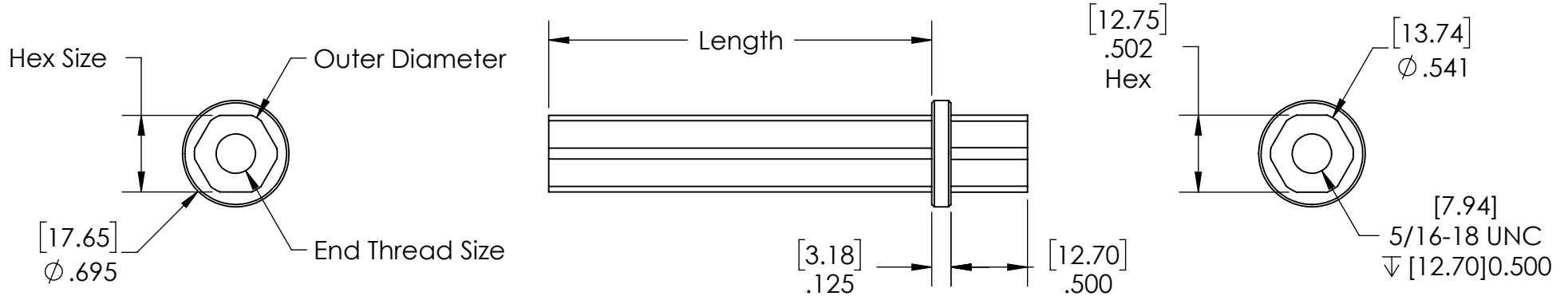
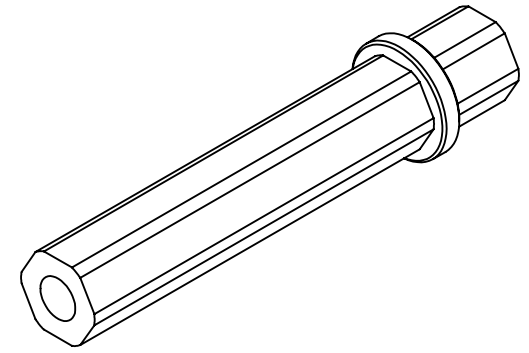
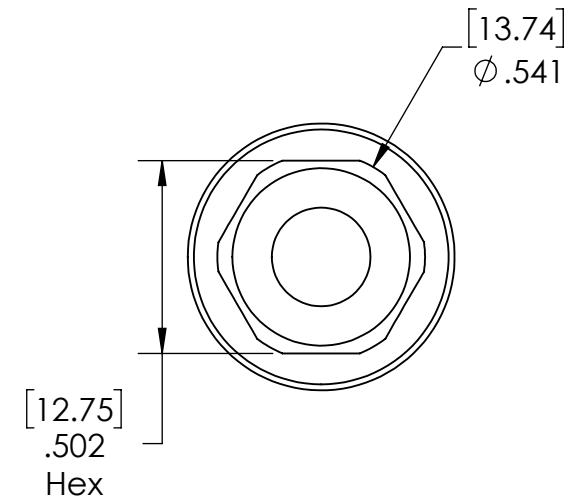
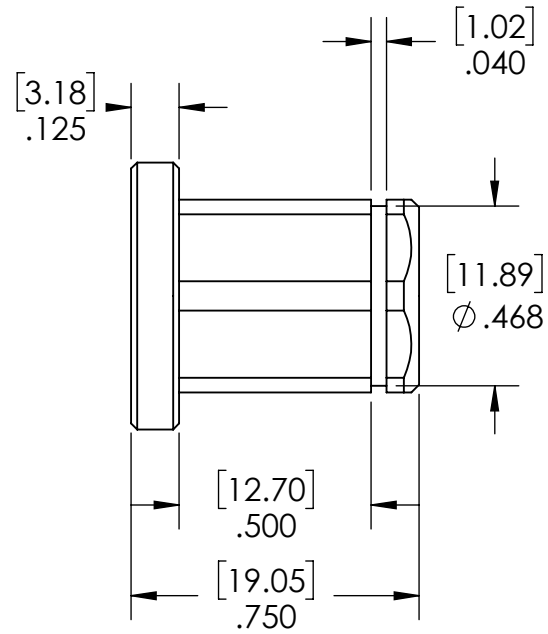
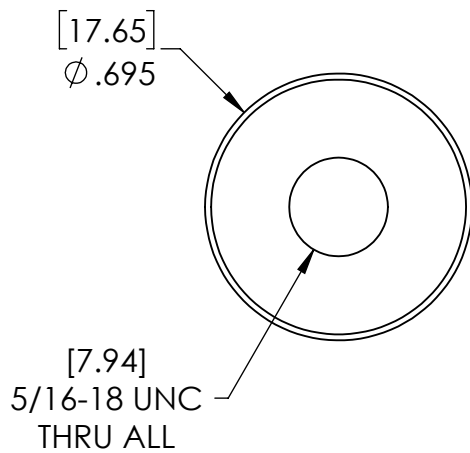
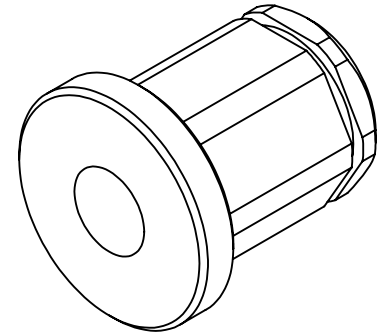


Part #	Hex Size	Outer Diameter	Length	End Thread Size
WCP-0827	0.500"	0.541"	0.875"	5/16-18
WCP-0828	0.500"	0.541"	2.500"	5/16-18
WCP-0829	0.375"	0.404"	2.625"	1/4-20

Note: WCP-0827 is threaded 5/16-18 all the way through.



Description		VersaRoller Hex Hub Inserts	
Dwg No		Web-VersaRoller Hex Hub Inserts	
Project		FIRST Robotics - FRC	Sheet 1 of 1
Release		12/1/2022	ALL DIMENSIONS ARE IN INCHES [MM].



Description		VersaRoller Hex Hub Inserts	
Dwg No		Web-VersaRoller Hex Hub Inserts	
Project		FIRST Robotics - FRC	Sheet 1 of 1
Release		12/1/2022	ALL DIMENSIONS ARE IN INCHES [MM].