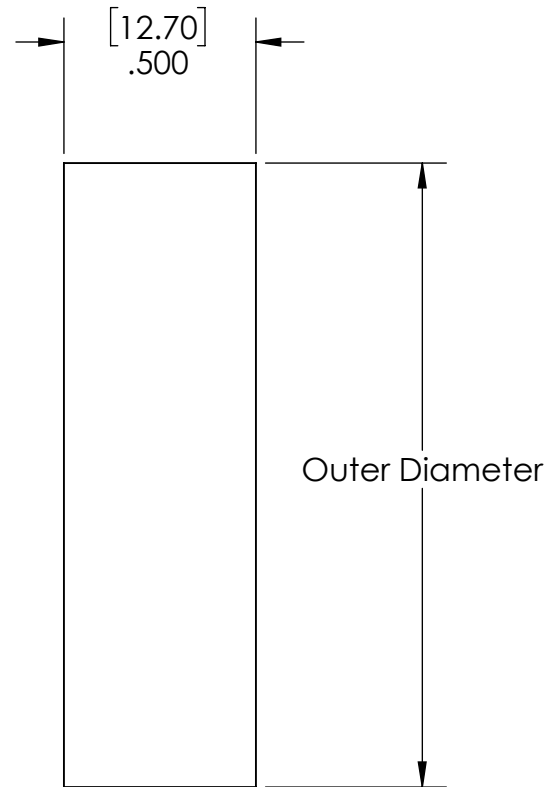
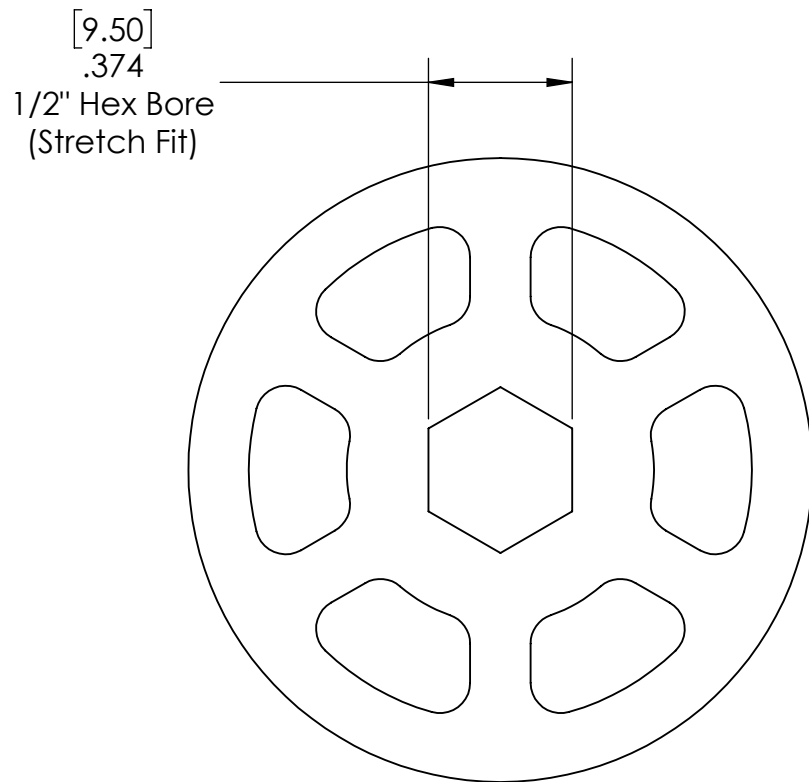
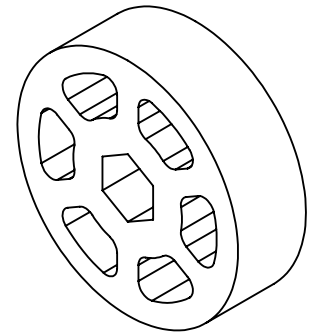
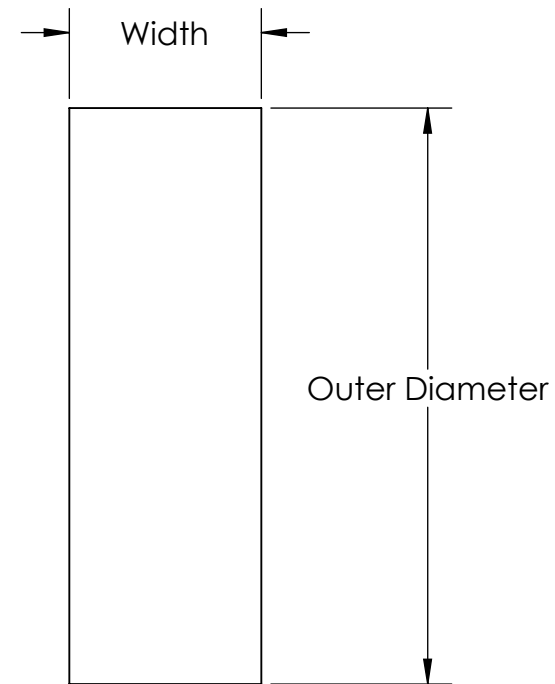
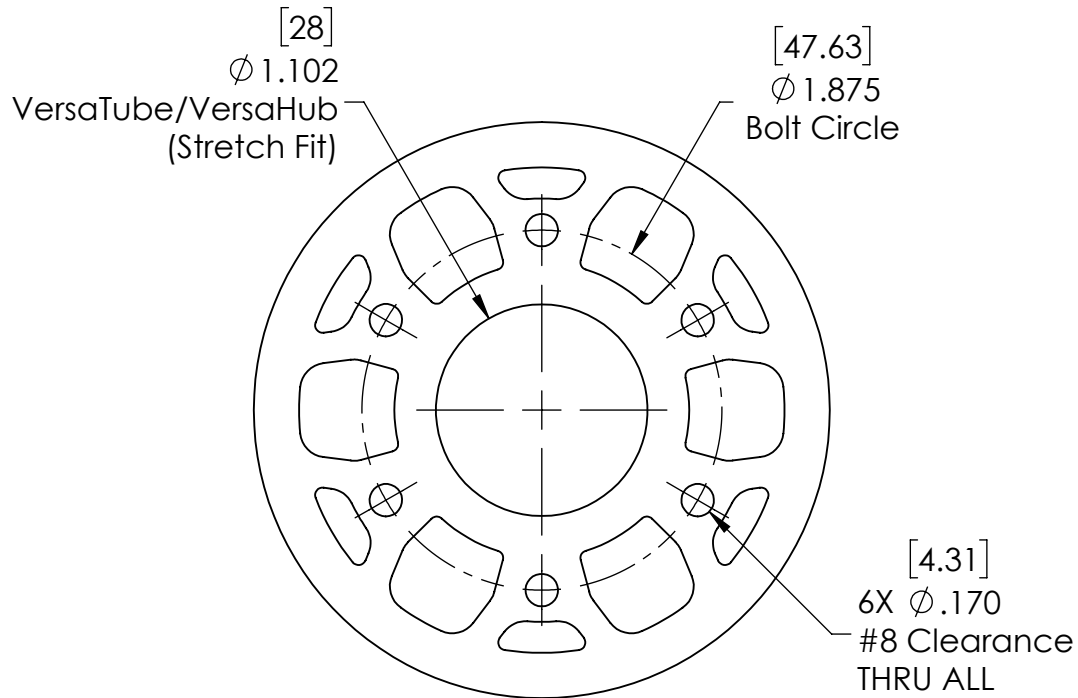
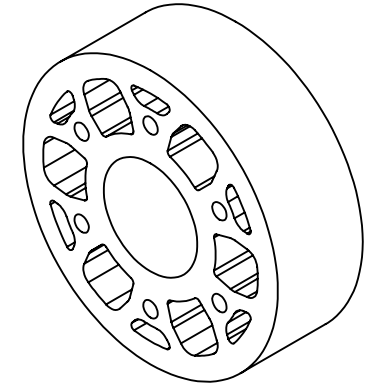


Part #	Outer Diameter	Durometer	Color	Feels Like
WCP-0810	1.625"	30A	Light Gray	Rubber Band
WCP-0811	1.625"	45A	Gray	Pencil Eraser
WCP-0134	1.625"	45A	Black	Pencil Eraser
WCP-0812	1.625"	60A	Black	Tire
WCP-0813	2.000"	30A	Light Gray	Rubber Band
WCP-0814	2.000"	45A	Gray	Pencil Eraser
WCP-0134	2.000"	45A	Black	Pencil Eraser
WCP-0815	2.000"	60A	Black	Tire



	Description		Straight Flex Wheels	
	Dwg No		Web-Straight Flex Wheels	
	Project	FIRST Robotics - FRC	Sheet 1 of 1	
	Release	12/1/2022	<b>ALL DIMENSIONS ARE IN INCHES [MM].</b>	

Part #	Outer Diameter	Width	Durometer	Color	Feels Like
WCP-0816	3.000"	1.000"	30A	Light Gray	Rubber Band
WCP-0817	3.000"	1.000"	45A	Gray	Pencil Eraser
WCP-0818	3.000"	1.000"	60A	Black	Tire
WCP-0819	4.000"	1.000"	30A	Light Gray	Rubber Band
WCP-0820	4.000"	1.000"	45A	Gray	Pencil Eraser
WCP-0821	4.000"	1.000"	60A	Black	Tire
WCP-0822	5.000"	1.500"	30A	Light Gray	Rubber Band
WCP-0823	5.000"	1.500"	45A	Gray	Pencil Eraser
WCP-0824	5.000"	1.500"	60A	Black	Tire



Description		Straight Flex Wheels	
Dwg No		Web-Straight Flex Wheels	
Project		FIRST Robotics - FRC	Sheet 1 of 1
Release		12/1/2022	<b>ALL DIMENSIONS ARE IN INCHES [MM].</b>