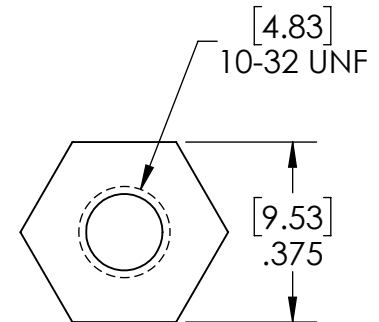
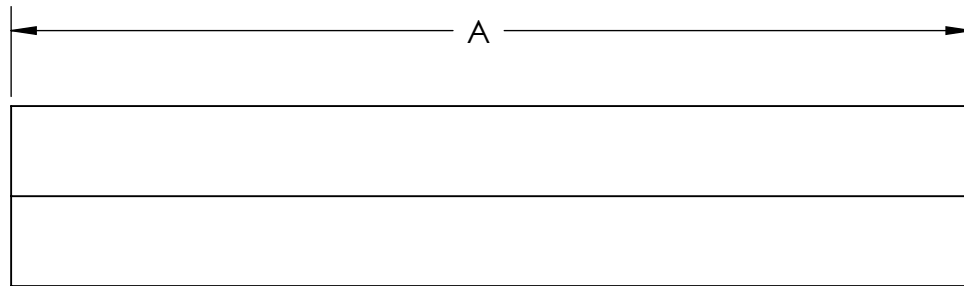


Part #	A
WCP-0230	2.000
WCP-0312	3.000
WCP-0313	4.000
WCP-0314	5.000
WCP-0315	6.000
WCP-0316	7.000
WCP-0317	8.000

Note:

- (1) 3/4" minimum thread depth on either end
- (2) Hole in not the full length of standoff

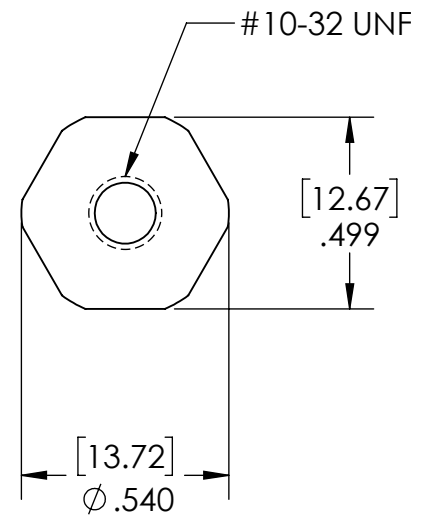
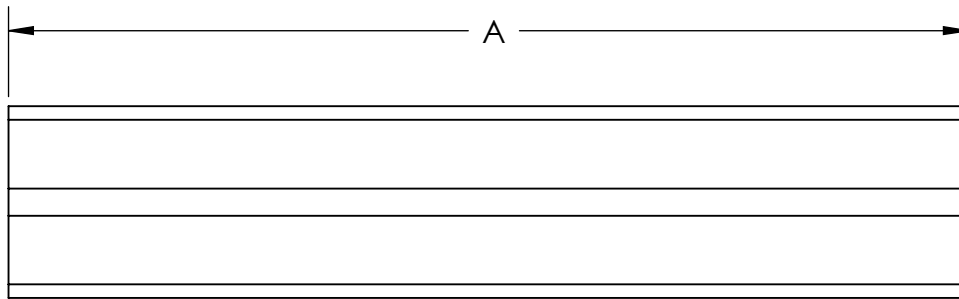


Description		Aluminum Threaded Hex Standoffs (3/8")	
Dwg No		Spacers Threaded	
Project		FIRST Robotics - FRC	Sheet 1 of 1
Release		12/22/2022	ALL DIMENSIONS ARE IN INCHES [MM].

Part #	A
WCP-0599	2.500
WCP-0575	3.500
WCP-0506	4.000
WCP-0573	4.500

Note:

- (1) 3/4" minimum thread depth on either end
- (2) Hole in not the full length of standoff



Description	Aluminum Threaded Hex Standoffs (1/2")		
Dwg No	Spacers Threaded		
Project	FIRST Robotics - FRC	Sheet 1 of 1	
Release	12/22/2022	ALL DIMENSIONS ARE IN INCHES [MM].	