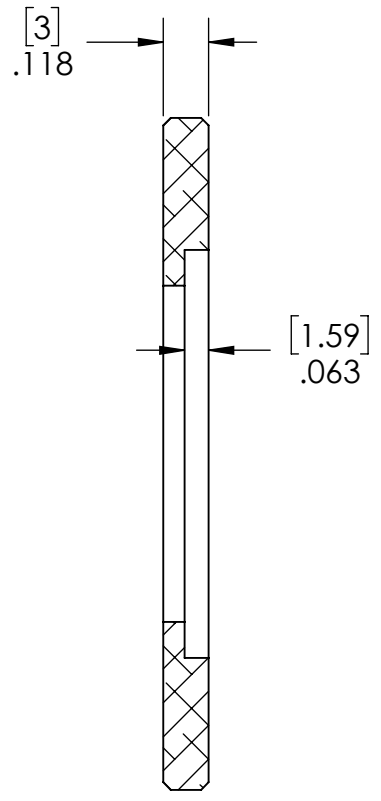
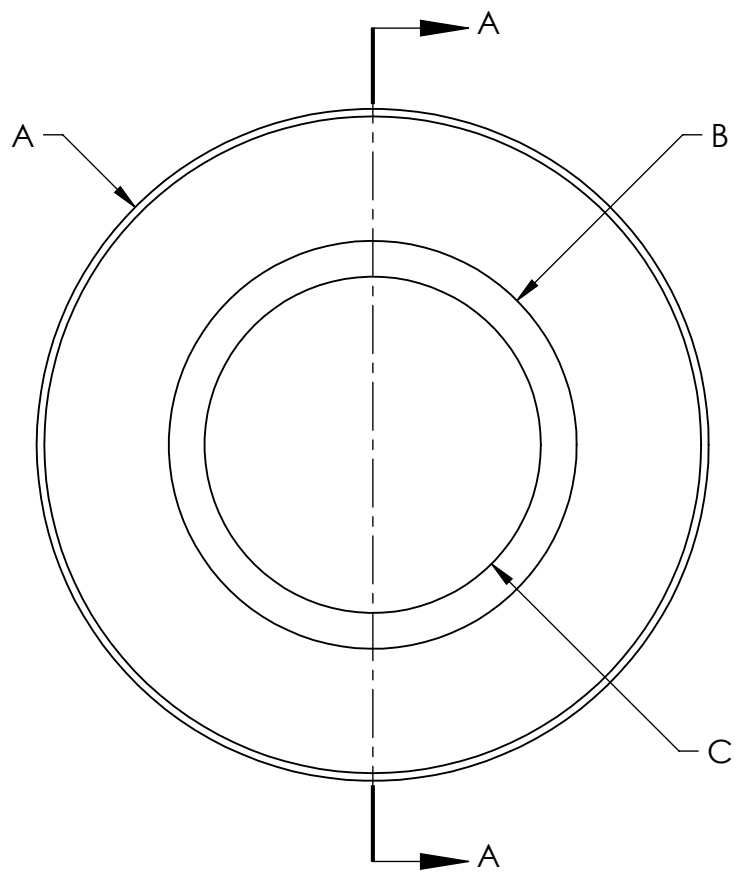
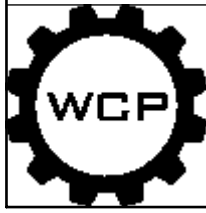


Part #	A	B	C
WCP-0443	1.75"	1.0625"	.875"
WCP-0444	2"	1.3125"	1.125"



SECTION A-A



Description		Roller Flange	
Dwg No		Web-Roller Flange	
Project		FIRST Robotics - FRC	Sheet 1 of 1
Release		1/7/2022	<b>ALL DIMENSIONS ARE IN INCHES [MM].</b>