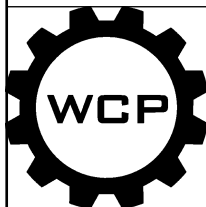
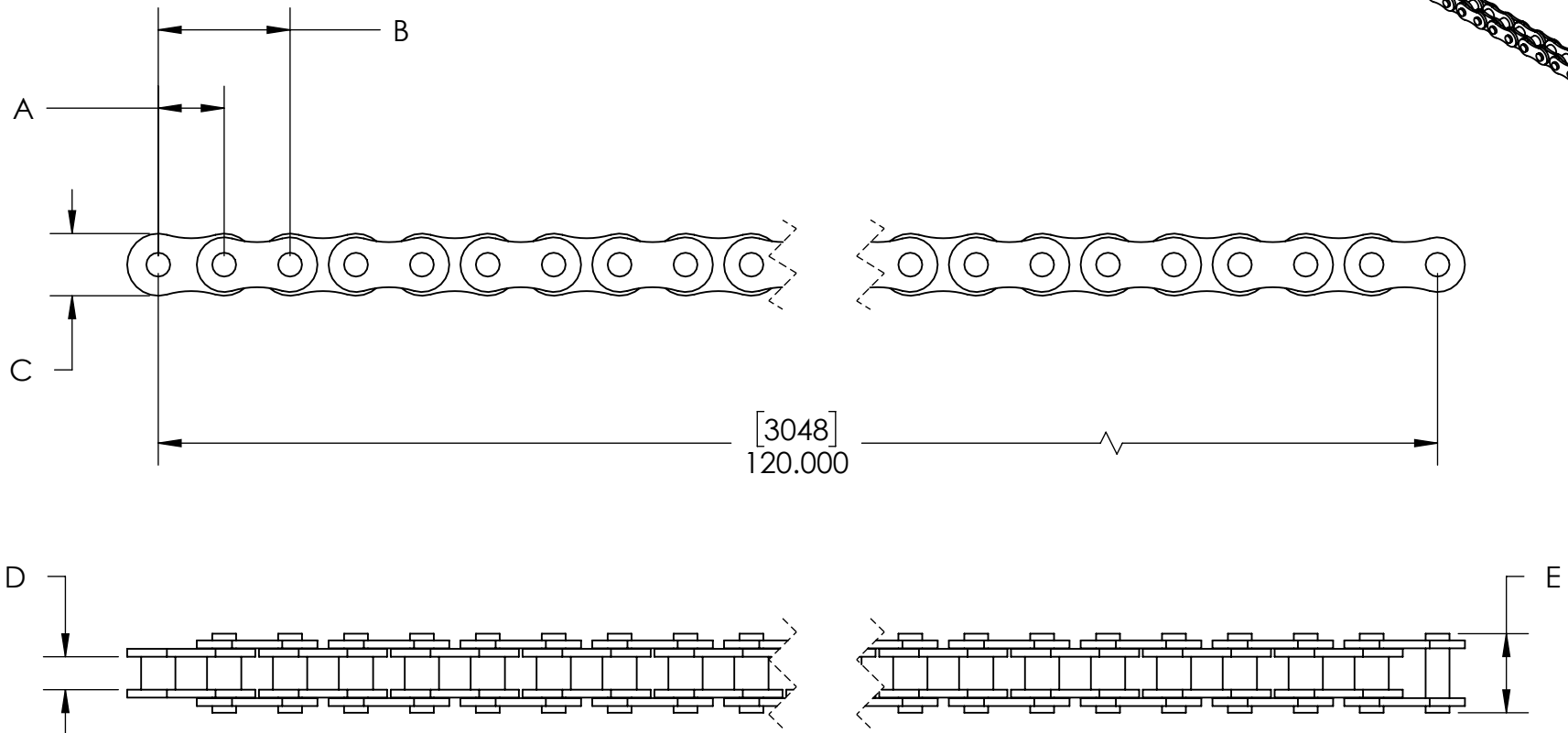
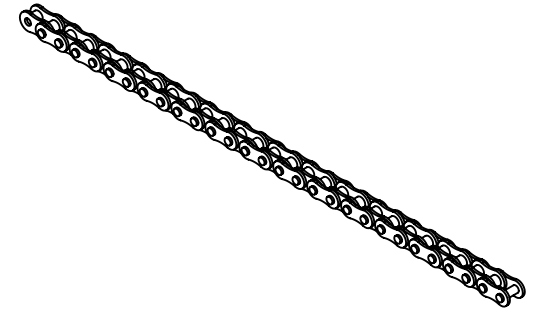


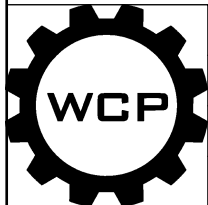
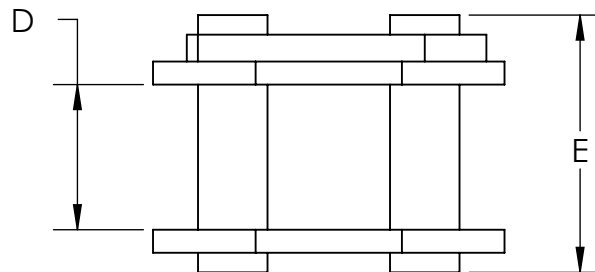
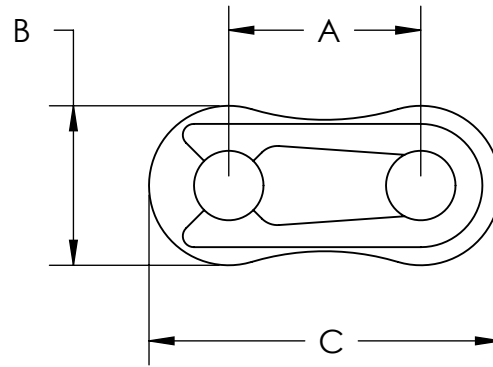
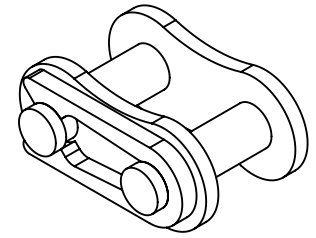
Part #	A	B	C	D	E	Outer Diameter
WCP-0764	.250	.500	.232	.125	.307	.236 + Pitch Diameter of Sprocket
WCP-0767	.250	.500	.232	.125	.354	.236 + Pitch Diameter of Sprocket
WCP-0770	.375	.750	.352	.190	.463	.358 + Pitch Diameter of Sprocket



Description		Roller Chain (10 ft)	
Dwg No		Roller Chain	
Project		FIRST Robotics - FRC	Sheet 1 of 1
Release		5/24/2023	ALL DIMENSIONS ARE IN INCHES [MM].

WWW.WCPRODUCTS.COM

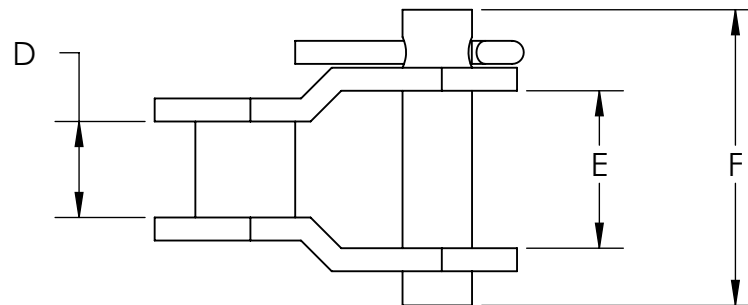
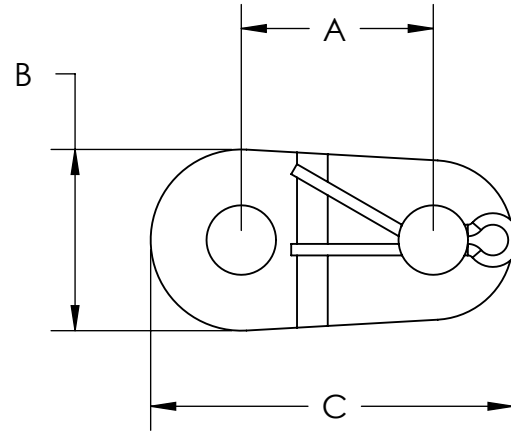
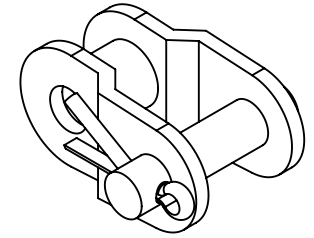
Part #	A	B	C	D	E
WCP-0765	.250	.208	.458	.189	.335
WCP-0771	.375	.306	.680	.292	.500
WCP-0768	.250	.208	.458	.211	.389



Description		Master Links	
Dwg No		Roller Chain	
Project		FIRST Robotics - FRC	Sheet 1 of 1
Release		5/24/2023	ALL DIMENSIONS ARE IN INCHES [MM].

WWW.WCPRODUCTS.COM

Part #	A	B	C	D	E	F
WCP-0766	.250	.236	.472	.125	.205	.385
WCP-0772	.375	.348	.701	.188	.292	.500
WCP-0769	.250	.236	.472	.125	.227	.397



Description		Half Links	
Dwg No		Roller Chain	
Project		FIRST Robotics - FRC	Sheet 1 of 1
Release		5/24/2023	ALL DIMENSIONS ARE IN INCHES [MM].

WWW.WCPRODUCTS.COM