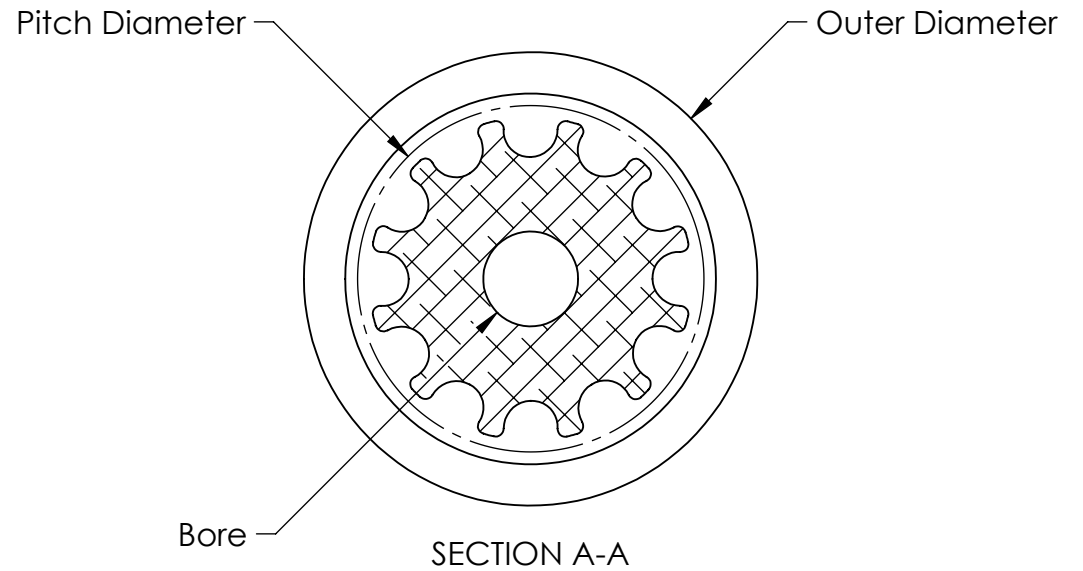
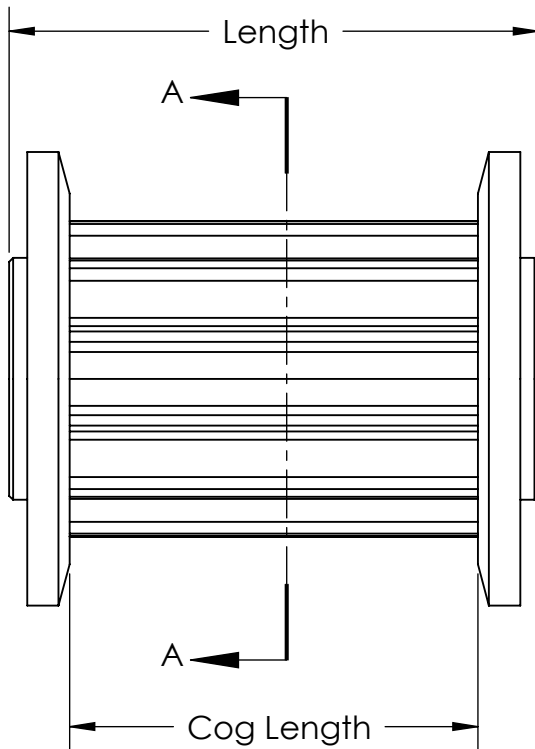


Part #	Tooth Count	Pitch Diameter (ref)	Outer Diameter	Cog Length	Length	Bore	Material
WCP-0603	16	0.601"	0.689"	0.587"	0.750"	Falcon	6061-T6 Aluminum
WCP-0318	16	0.601"	0.689"	1.025"	1.187"	Falcon	6061-T6 Aluminum
WCP-0614	12	0.451"	0.591"	0.531"	0.689"	550 Press Fit	6061-T6 Aluminum
WCP-0616	12	0.451"	0.591"	0.531"	0.768"	775 Press Fit	6061-T6 Aluminum
WCP-0661	12	0.451"	0.591"	0.531"	0.689"	BAG Motor Press Fit	6061-T6 Aluminum



Description	WCP GT2 3mm Pinions	
Dwg No	Web-GT2 Pinions	
Project	FIRST Robotics - FRC	Sheet 1 of 1
Release	12/26/2022	ALL DIMENSIONS ARE IN INCHES [MM].

WWW.WCPRODUCTS.COM