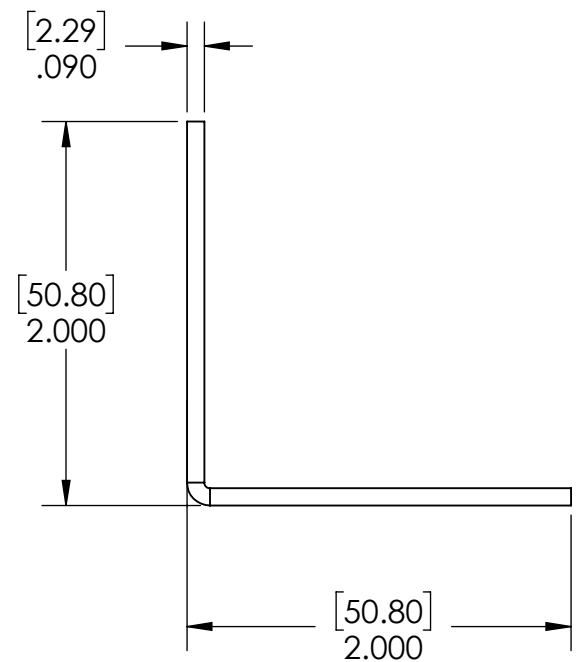
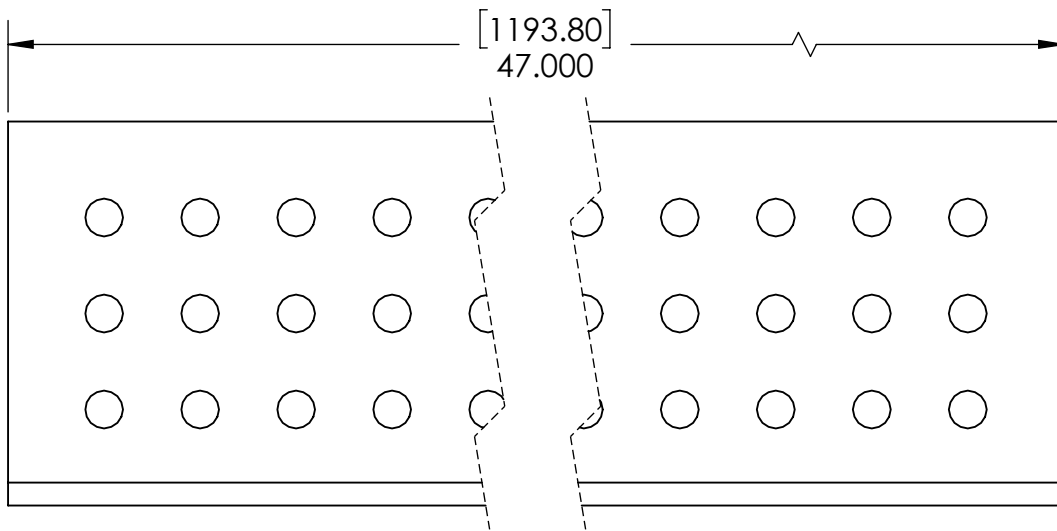
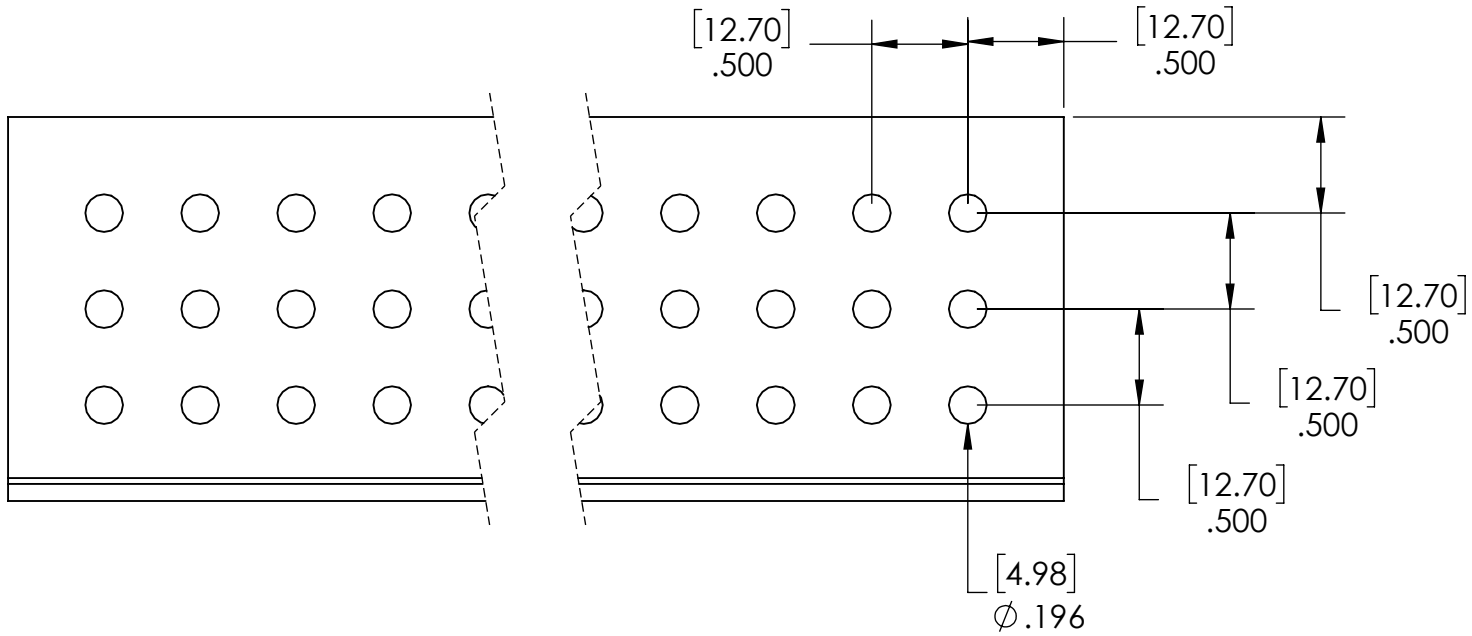
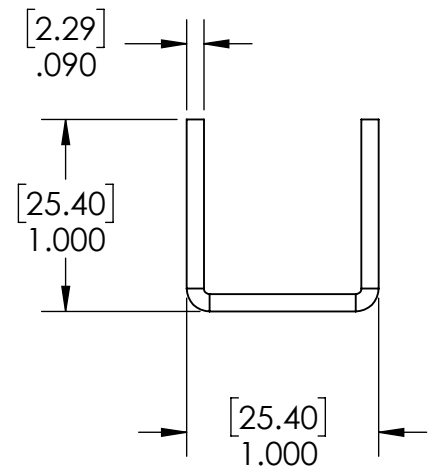
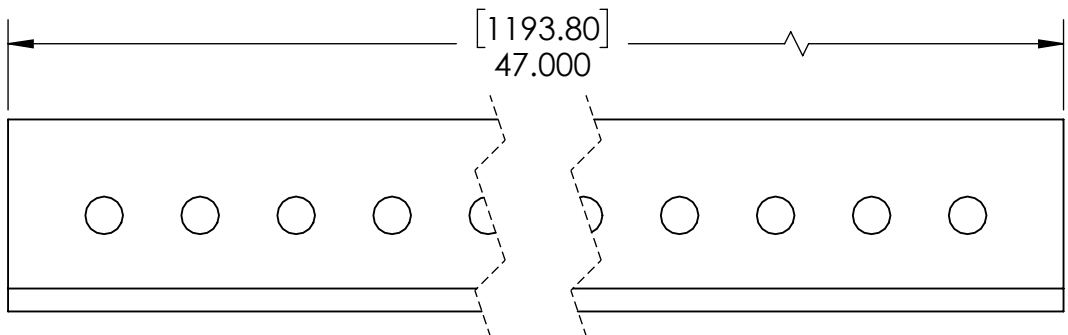
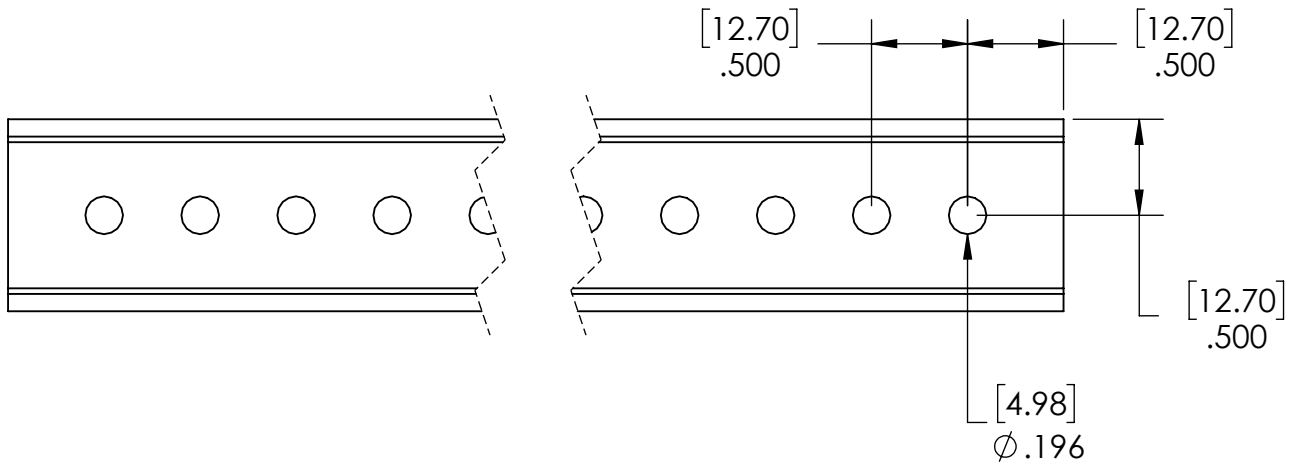


Description	1" x 1" x 0.090" Aluminum Angle with Hole Pattern (47")	
Dwg No	Web-Angle & C-Channel Aluminum	
Project	FIRST Robotics - FRC	Sheet 1 of 1
Release	12/22/2023	<b>ALL DIMENSIONS ARE IN INCHES [MM].</b>

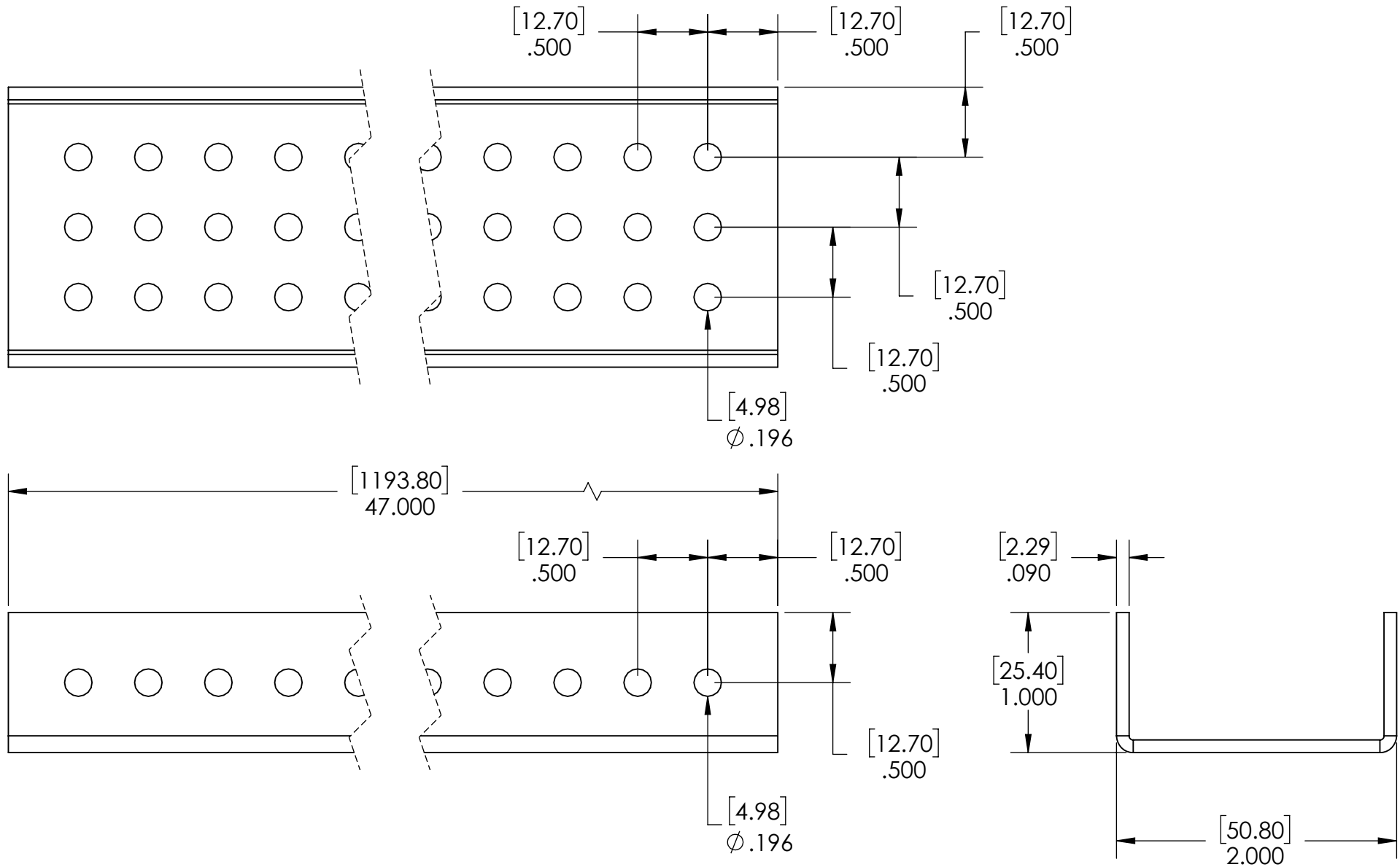



Description		2" x 2" x 0.090" Aluminum Angle with Hole Pattern (47")	
Dwg No		Web-Angle & C-Channel Aluminum	
Project		FIRST Robotics - FRC	Sheet 1 of 1
Release		12/22/2023	<b>ALL DIMENSIONS ARE IN INCHES [MM].</b>



Description		1" x 1" x 0.090" Aluminum C-Channel with Hole Pattern (47")	
Dwg No		Web-Angle & C-Channel Aluminum	
Project		FIRST Robotics - FRC	Sheet 1 of 1
Release	12/22/2023	<b>ALL DIMENSIONS ARE IN INCHES [MM].</b>	

[WWW.WCPRODUCTS.COM](http://WWW.WCPRODUCTS.COM)



	Description 2" x 1" x 0.090" Aluminum C-Channel with Hole Pattern (47")	
	Dwg No Web-Angle & C-Channel Aluminum	
	Project FIRST Robotics - FRC	Sheet 1 of 1
	Release 12/22/2023	ALL DIMENSIONS ARE IN INCHES [MM].