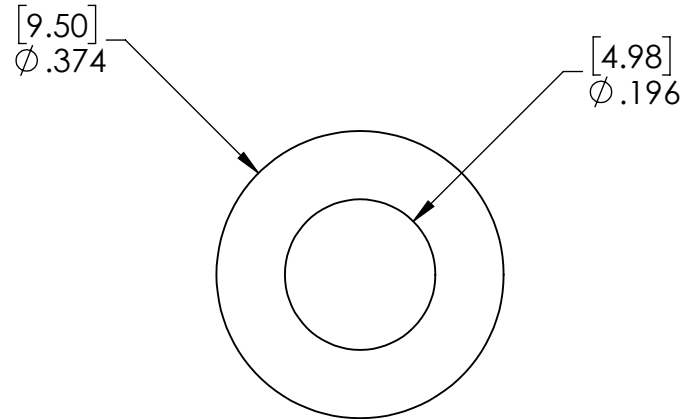
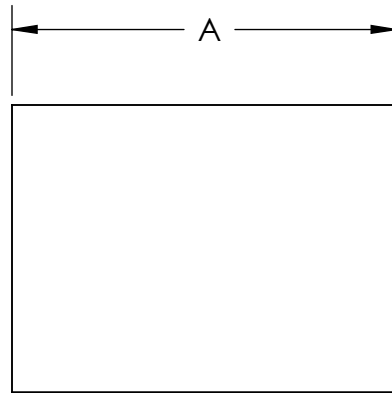
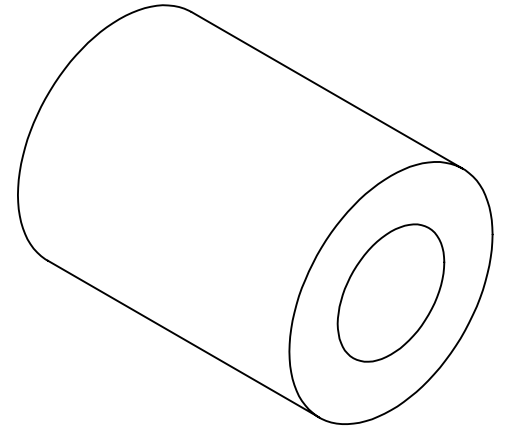
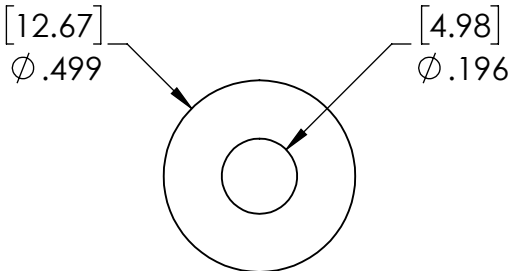
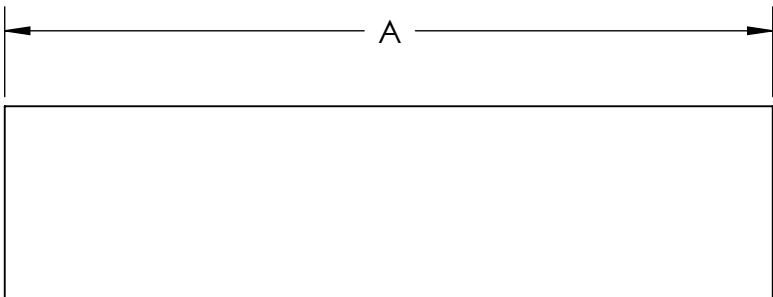
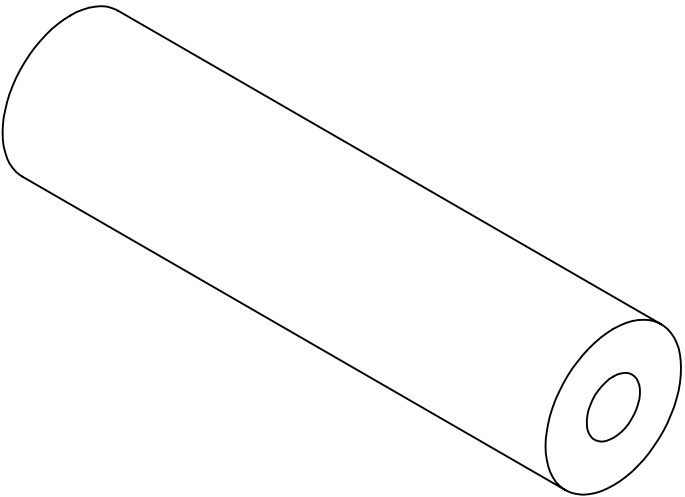


Part #	A	Material
WCP-0307	0.125	6061-T6 Aluminum
WCP-0308	0.250	6061-T6 Aluminum
WCP-0309	0.375	6061-T6 Aluminum
WCP-0329	0.438	6061-T6 Aluminum
WCP-0202	0.500	6061-T6 Aluminum
WCP-0203	0.625	6061-T6 Aluminum
WCP-0217	0.750	6061-T6 Aluminum
WCP-0204	1.000	6061-T6 Aluminum
WCP-0226	1.125	6061-T6 Aluminum
WCP-0222	1.250	6061-T6 Aluminum
WCP-0388	1.375	6061-T6 Aluminum
WCP-0205	1.500	6061-T6 Aluminum
WCP-0206	1.750	6061-T6 Aluminum
WCP-0387	1.875	6061-T6 Aluminum
WCP-0207	2.000	6061-T6 Aluminum
WCP-0310	2.250	6061-T6 Aluminum
WCP-0208	2.500	6061-T6 Aluminum
WCP-0311	2.750	6061-T6 Aluminum
WCP-0209	3.000	6061-T6 Aluminum



Description	Round Aluminum Spacers (3/8")	
Dwg No	Aluminum Spacers	
Project	FIRST Robotics - FRC	Sheet 1 of 1
Release	2/16/2024	ALL DIMENSIONS ARE IN INCHES [MM].

Part #	A	Material
WCP-0566	2.000	6061-T6 Aluminum



Description	Round Aluminum Spacers (1/2")	
Dwg No	Aluminum Spacers	
Project	FIRST Robotics - FRC	Sheet 1 of 1
Release	2/16/2024	ALL DIMENSIONS ARE IN INCHES [MM].