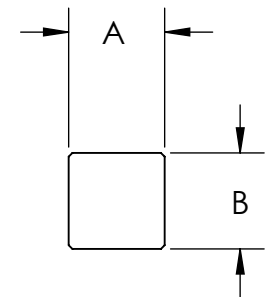
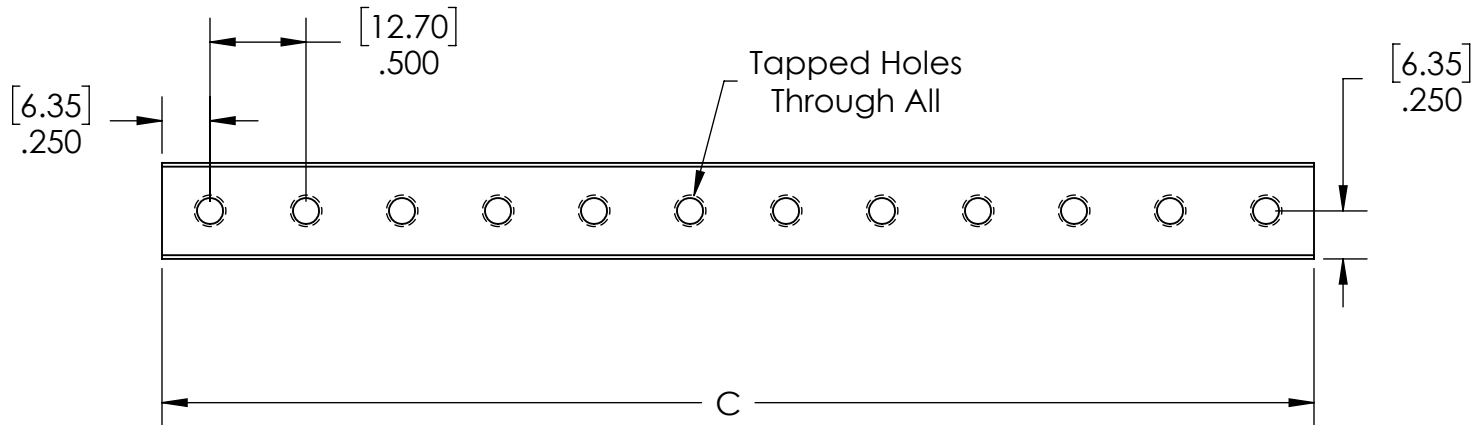
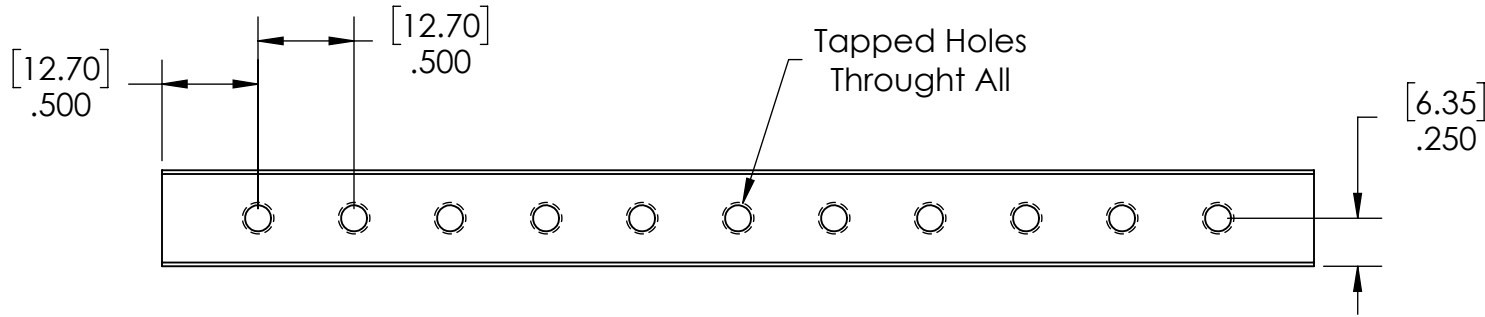
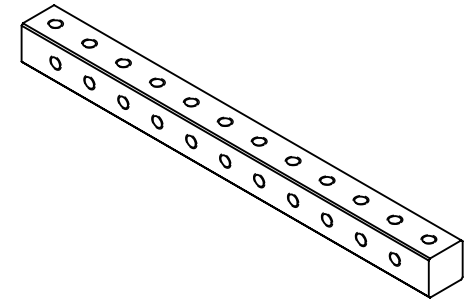


Part #	Tapped Hole Size	A	B	C
WCP-1554	#10-32	0.375"	0.375"	3.000"
WCP-1555	#10-32	0.375"	0.375"	6.000"
WCP-0335	#8-32	0.500"	0.500"	6.000"
WCP-1553	#10-32	0.500"	0.500"	3.000"
WCP-0336	#10-32	0.500"	0.500"	6.000"



	Description Web-Aluminum Nut Strip	
	Dwg No WCP Aluminum Nut Strip	
	Project FIRST Robotics - FRC	Sheet 1 of 1
	Release 2/3/2025	<b>ALL DIMENSIONS ARE IN INCHES [MM].</b>

[WWW.WCPRODUCTS.COM](http://WWW.WCPRODUCTS.COM)