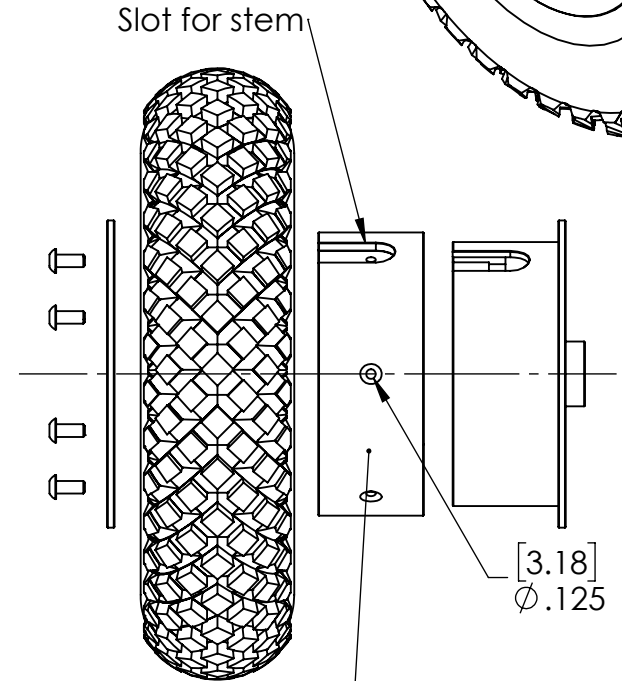
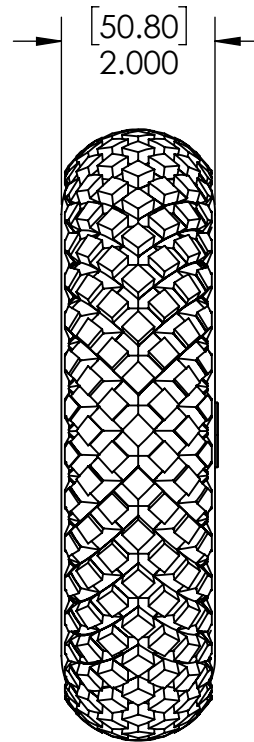
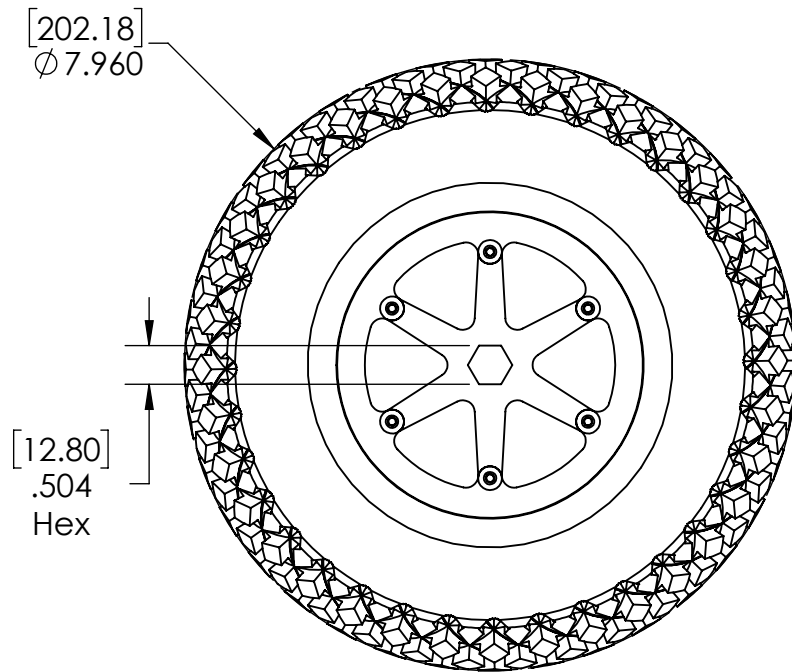


Note:  
 (1) 8" tires require the Pneumatic Wheel Hub Adaptor  
 WCP-0100 Rev2

(2) Dimensions are dependent on how much you fill the tire



Steps for using WCP-0100:

- (1) Line up slot for stem on the part and the hub
- (2) Drill 0.125" holes on part through the hub
- (3) Rivet using flush mounted rivets (mcmaster 97519A098)

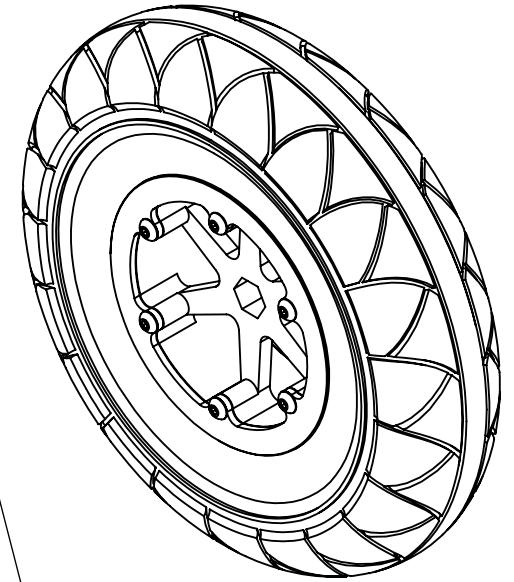
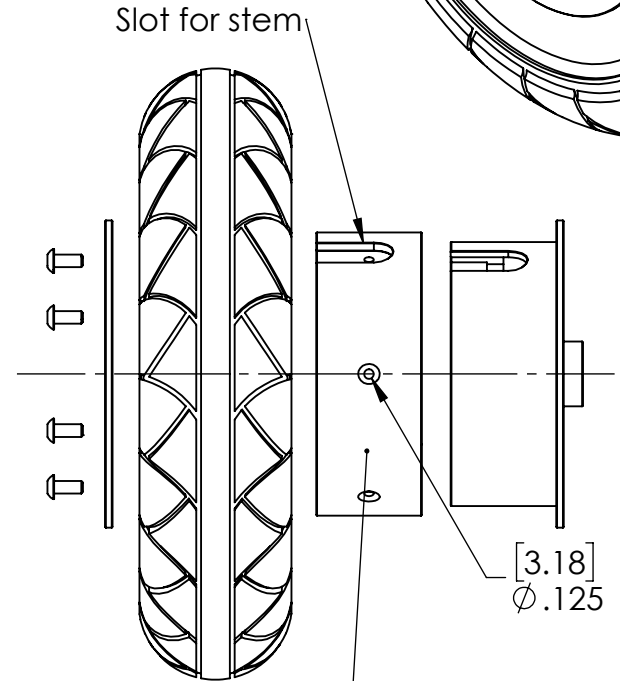
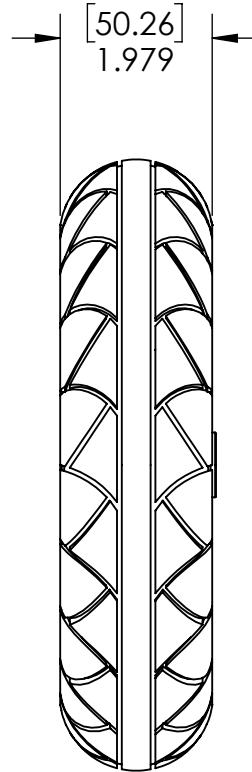
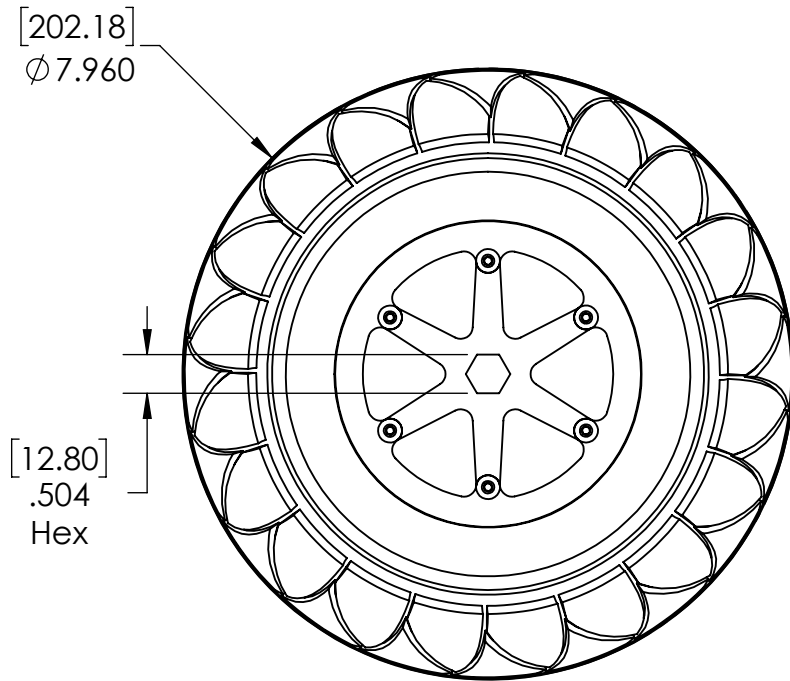


Description	WCP 8 inch Pneumatic Wheel (Diamond)	
Dwg No	8 inch Pneumatic Wheel	
Project	FIRST Robotics - FRC	Sheet 1 of 1
Release	1/4/2024	<b>ALL DIMENSIONS ARE IN INCHES [MM].</b>

[WWW.WCPRODUCTS.COM](http://WWW.WCPRODUCTS.COM)

Note:  
 (1) 8" tires require the Pneumatic Wheel Hub Adaptor  
 WCP-0100 Rev2

(2) Dimensions are dependent on how much you fill the tire



Steps for using WCP-0100:

- (1) Line up slot for stem on the part and the hub
- (2) Drill 0.125" holes on part through the hub
- (3) Rivet using flush mounted rivets (mcmaster 97519A098)



Description		WCP 8 inch Pneumatic Wheel (Smooth)	
Dwg No		8 inch Pneumatic Wheel	
Project		FIRST Robotics - FRC	Sheet 1 of 1
Release		1/4/2024	<b>ALL DIMENSIONS ARE IN INCHES [MM].</b>

[WWW.WCPRODUCTS.COM](http://WWW.WCPRODUCTS.COM)