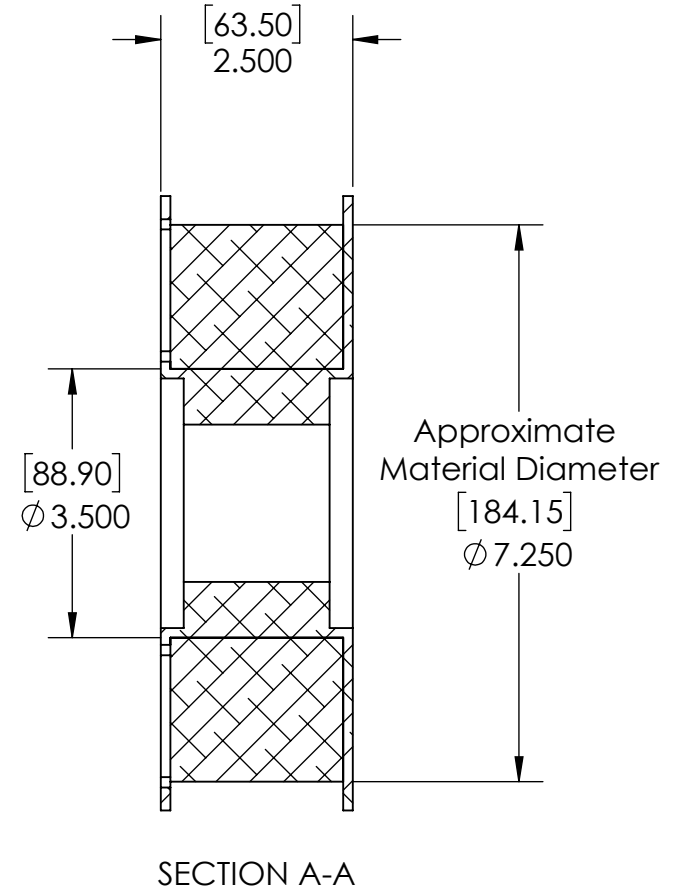
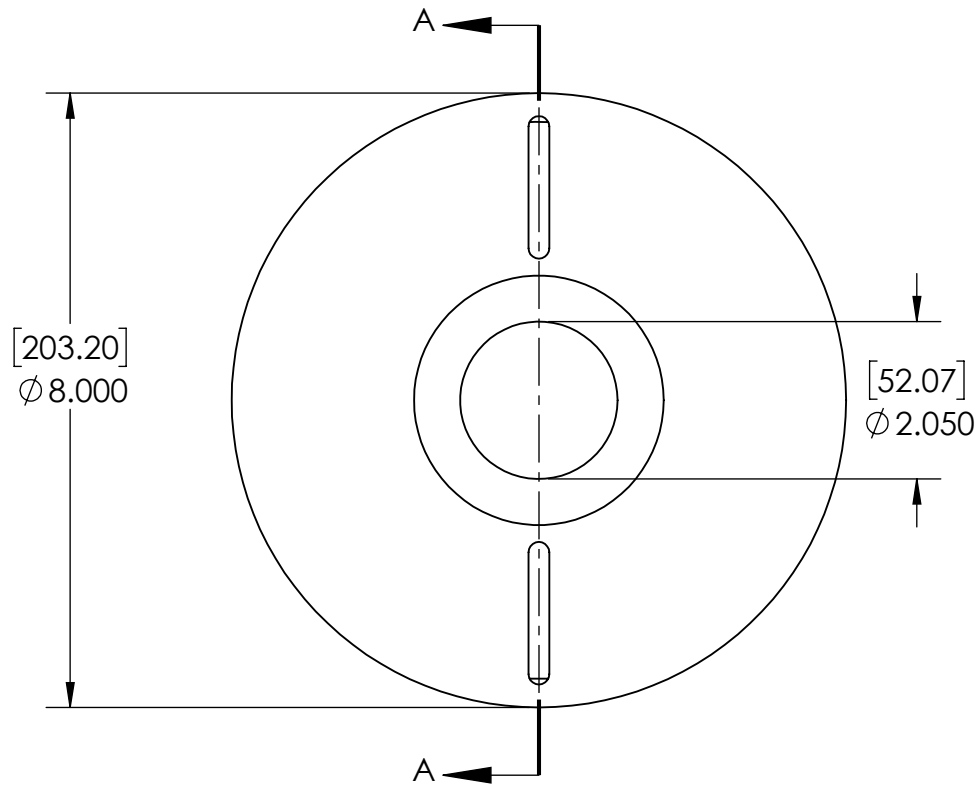


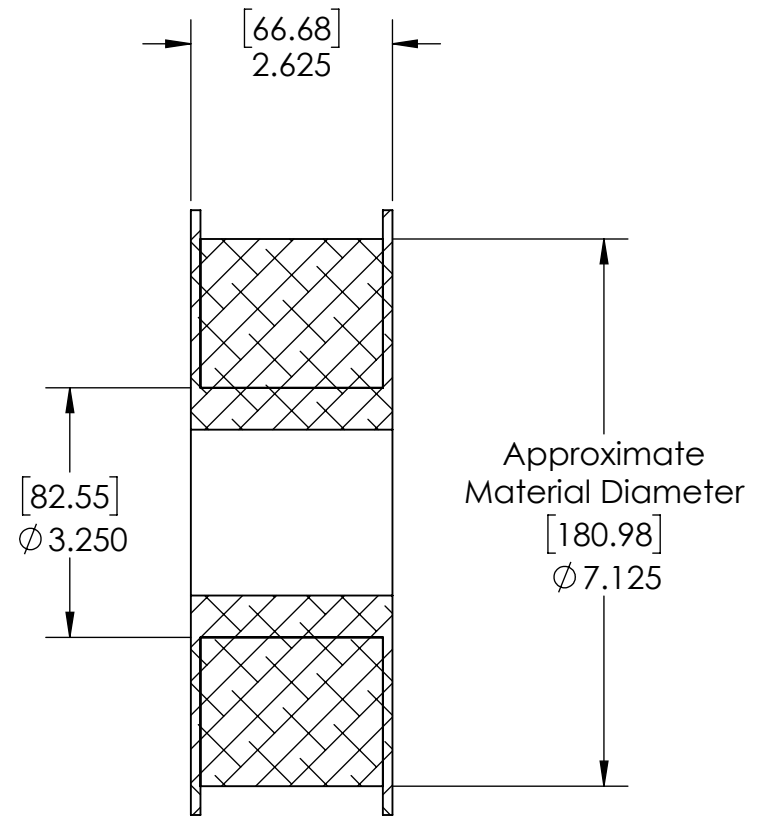
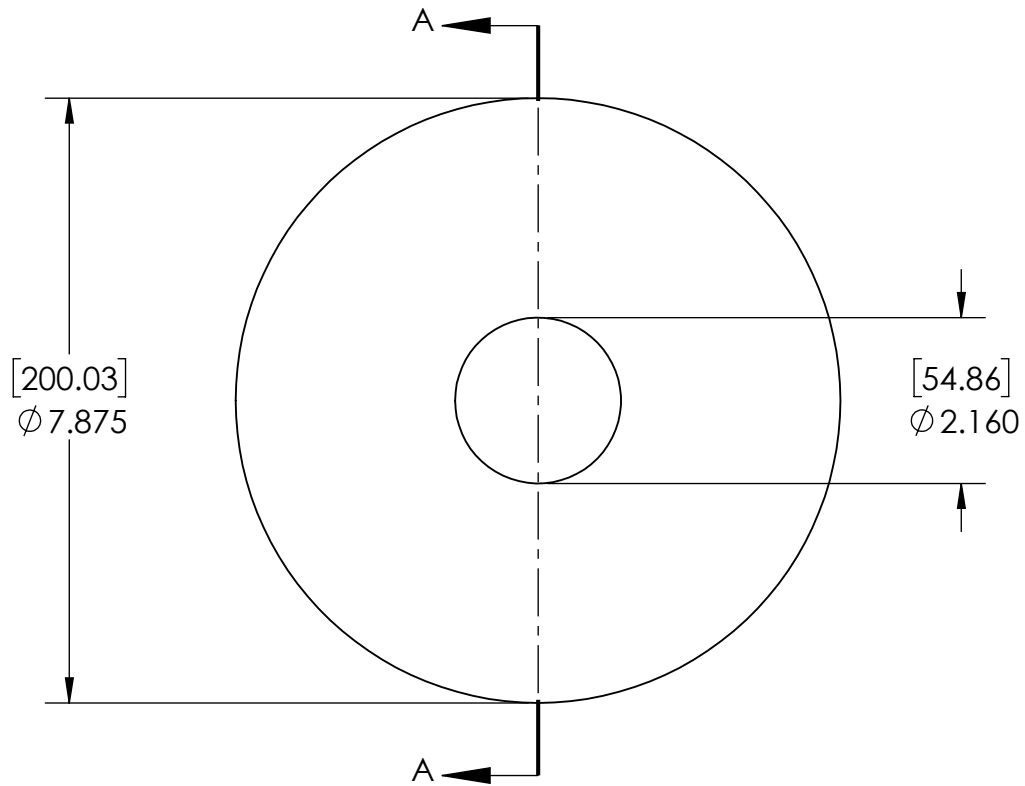
Part #	Color
WCP-0396	Cool White
WCP-0397	Grey
WCP-0398	Silver
WCP-0400	Red
WCP-0401	Yellow
WCP-0402	Green
WCP-0500	Pine Green
WCP-0403	Blue
WCP-0404	Pink



Description		eSUN 3D Printer Filament	
Dwg No		3D Printer Filament	
Project		FIRST Robotics - FRC	Sheet 1 of 1
Release		2/29/2024	ALL DIMENSIONS ARE IN INCHES [MM].

WWW.WCPRODUCTS.COM

Part #	Color
WCP-0399	Black



SECTION A-A



Description	Bambu Lab 3D Printer Filament	
Dwg No	3D Printer Filament	
Project	FIRST Robotics - FRC	Sheet 1 of 1
Release	2/29/2024	ALL DIMENSIONS ARE IN INCHES [MM].