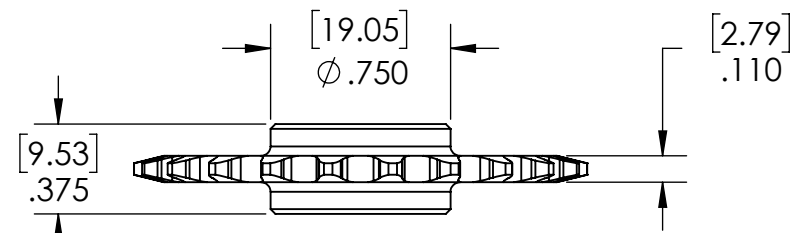
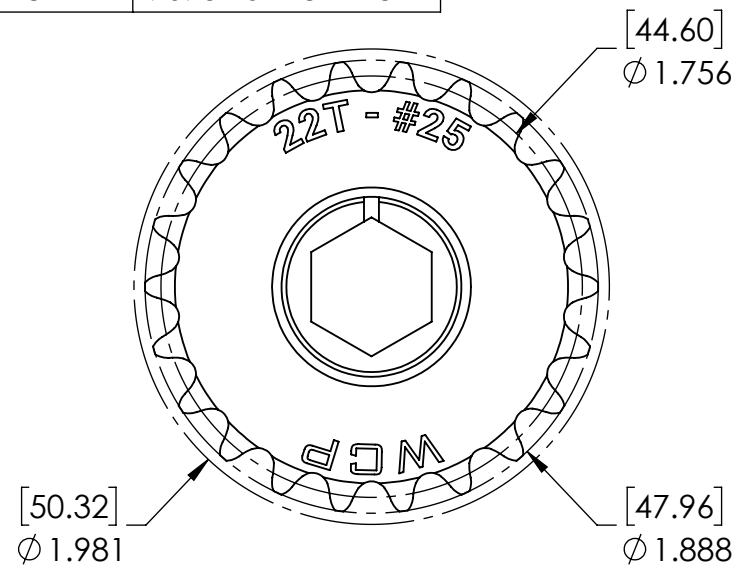
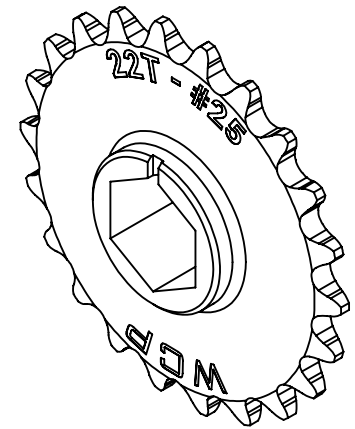


Part #	Tooth Count	Pitch Diameter (ref)	Outer Diameter	Outer Diameter w/ Chain (ref)	Bore	Material
WCP-1419	10	0.796"	0.928"	1.026"	8mm Key	4140 Steel
WCP-0582	10	0.796"	0.928"	1.026"	Spline	4140 Steel
WCP-0576	12	0.955"	1.084"	1.185"	1/2" ThunderHex	4140 Steel
WCP-0577	14	1.114"	1.246"	1.344"	1/2" Hex	4140 Steel
WCP-0578	16	1.273"	1.406"	1.503"	1/2" Hex	4140 Steel
WCP-0558	16	1.273"	1.406"	1.503"	1/2" Hex	7075-T6 Aluminum
WCP-0579	17	1.353"	1.488"	1.583"	1/2" Hex	7075-T6 Aluminum
WCP-0559	18	1.432"	1.568"	1.662"	1/2" Hex	7075-T6 Aluminum
WCP-0580	20	1.592"	1.728"	1.822"	1/2" Hex	7075-T6 Aluminum
WCP-0560	22	1.751"	1.888"	1.981"	1/2" Hex	7075-T6 Aluminum
WCP-0581	24	1.910"	2.048"	2.140"	1/2" Hex	7075-T6 Aluminum



Description		#25 Double Hub Sprockets	
Dwg No		Web-#25 Double Hub Sprockets	
Project		FIRST Robotics - FRC	Sheet 1 of 1
Release		1/5/2024	ALL DIMENSIONS ARE IN INCHES [MM].

WWW.WCPRODUCTS.COM